

úüüüüü ù ÷ óú þíù ù ÷ øüüö öüüóþ ý ñíðüð ú ðüö ùüíñþóðí óù óú



LGH

Djurgu_ dhg^bpbhg_ju (QHUFH =p

HIBK:GB? IJH>MDPBBB



>hdmf_gl < FZc AZf_gy_l ^hdmf_gl hl yg\Zjy



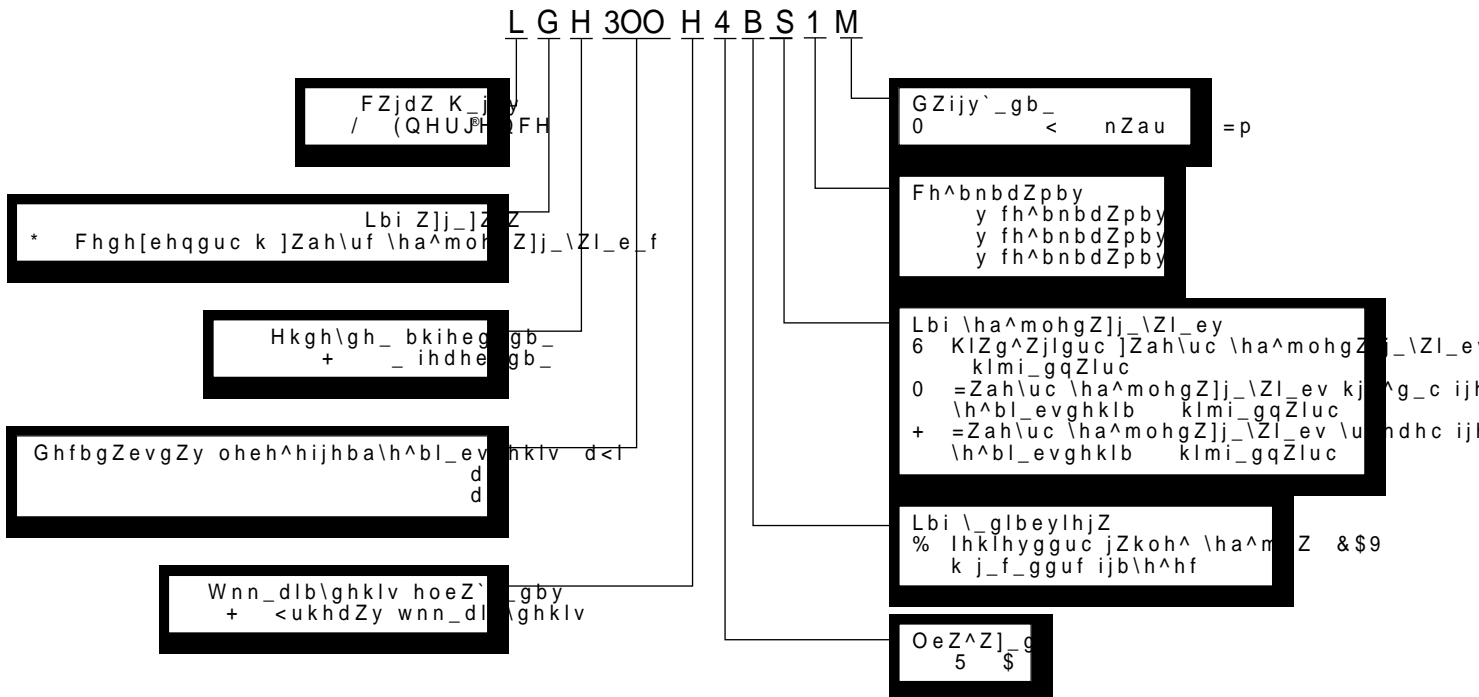
SMARTWIRE™ SYSTEM



HI ^h d<l hl ^h lhgg hoeZ` Oheh^hijhba\h^bl_evghklv g_llh ± hl ^h ^dk<l hl ;L? q L_iehijhba\h^bl_evghklv]Zah\h]h \ha^mohgZj\ZI_eyh d<l hl ^h ;L? q

ÿ þ ø þí ÿüüðüüñü üüüðüüí óüö

L G H 300 H 4 B S 1 M



Fhgh[ehqgu_djurgu_dhg^bpbhg_ju (QHUUHQFHŠ dhfiZgbb /HQQR[hkgZs_ggu_ ijhklhc \ wdkien fhc mijZ\le_gby hlebqZxlky bkdexqbl_evgh \ukhdhc wg_j]_lbq_kdhc wnn_dlb\ghklvx b h[_ki_qb\Zx ljhgw_j]bb ;eZ]h^Zjy wlhfm ^Zggu_dhg^bpbhg_ju y\eyxlky b^_Zevguf j_r_gb_f ^ey kha^Zgby kbb dhg^bpbhgbjh\Zgby \ha^moZ k fbgbfZevgufb aZljZIZfb Hlebqbl_evgu_ hkh[_gghklb djurguo dhg^b

- ‡ K_j\bkgu_iZg_eb gZ ih[Levqo_qb\Zxl [ukljuc b m^h[guc ^hklmi d \gmlj_ggbf dhfihg_gIZf Z]j_]ZIZ eb b djurm hl ih\j_`^_gby ijb l_ogbq_kdhf h[kem`b\Zgbb
- ‡ Bahebjh\Zgguc dhfij_kkhjguc hlk_d ± ijh_jdZ jZ[hllkikhkh[ghklb b dhgljhev jZ[hqbo iZjZf_ljh\ dhfij_kkhjZ [_a ij_ju\Zgby ihlhdZ h[jZ[Zlu\Z_fh]h \ha^moZ
- ‡ Kt_fguc g_j`Z_xsb ih^^hg ^ey k[hjZ dhg^_gkZIZ ±]b[dhklv ijb_f_g_gby ^he]h_qghklv b m^h[_b\Zgby Keb\gu_iZljm[db k[hdm beb kgbam
- ‡ L_jfhj_]mobjmxsb_ _glbeb h[_ki_qb\Zxl fZdkbfZevgm oeh^hijhba\h^bl_evghklv Z]j_]ZIZ \h \
- ‡ KibjZevgu_dhfij_kkhju ± klZg^Zjlg_u dhfihg_glu ^ey \k_o fh^_e_c h[_ki_qb\Zxsb_ \ukhdmx g kjhd kem`[u Z]j_]ZIZ
- ‡ Dhg^_gkZlhj /HQQR[¶ (QYLURQÆ ± E_)dbc b dhfiZdlguc l_iehh[f_ggbd dhg^_gkZlhj
- ‡ <_glbeylhj k ihklhygguf jZkoh^hf \ha^moZ &\$9 h[_ki_qb\Z_l ih^Zqm \ha^moZ k ihklhygguf jZko
- ‡ :\lfZlbq_kdh_j_]mobjh\Zgb_gZly`_gb_ ijb\h^gh]h j_fgy _glbeylhjZ ^ZggZy hipby mklZgh\le \bl_e_ h[_ki_qb\Z_l klZ[bevgghklv jZ[hqbo oZjZdl_jbklbd _glbeylhjZ \ukhdbc mjh_gv dhfnhjl ghklv b ^ebl_evduc kjhd kem`[u ijb\h^gh]h j_fgy
- ‡ Nbevlju 0(59 aZy\le_ggh_agZq_gb_fbgbfZevghc wnn_dlb\ghklb \ khh\l_kl\bb k \$6+5\$(gZ aZ\h^_ba]hlh\bl_e_beb gZ f_kl_fhglZ`Z h[_ki_qb\Zxl ih\ur_ggh_dZq_kl\h \ha^moZ \ h[k
- ‡ Nhev]bjh\ZggZy l_iehbaheypby gZg_k_ggZy gZ \k_o \gmlj_ggbo ih_joghklyo Z]j_]ZIZ khijbd lu\Z_fh]h \ha^moZ bkdexqZ_l ihiz^Zgb_f_edbo \hehdhg \ \ha^mrguc dZgZe Wlh ih\urZ_l dZq dhfnhjlZ \ ihf_s_gbb
- ‡ KlZg^Zjlg_u dhfihg_glu < khklZ\ Z]j_]Zlh \k_o lbihjZaf_jh \oh^bl [hevrh_dhebq_kl\h klZg^Z jh^Zjy wlhfm mf_gvrZ_lky Zkkhjlb_f_gl ^_lZe_c ojZgysboky gZ kdeZ^_b aZ[bjZ_fuo ^ey j_fhgl

Kbkl_fZ mijZ\le_gby 3URGLJ\

<k_djurgu_dhg^bpbhg_ju k_jbb (QHUUHQFH hkgZs_gu gh\ufh\dhj\lghee_jhf 3URGLJ\ kh^bgy_l \ k[_emqr_b^hklb`_gby dhfhZgZblbHQQR[f mijZ\le_gby Bglmb\ gh ihgylguc bgl_jn_ck agZqbl_evgh mijhsZ_l gZkljhcdm ihbkd g_bkijZ\ghkl_c b l_ogbq_kdh_ h[kem`b\Zgb_Z]j_]ZIZ Dhgljhee_j h[_ki_qb\Z_l mq_l \j_f_gb jZ[hlu dZ`^h]h ba hkgh\guo dhf ihg_glh\ Z]j_]ZIZ Z lZd`_j_]bkljZpbx ^Zlu b \j_f_gb ijh_^_gby l_ogbq_kdh]h h[kem`b\Zgby beb j_fhglZ

Kbkl_fZ 6PDUW:LUHÆ

Kbkl_fZ 6PDUW:LUH mijhsZ_l mklZgh\dm dhfgZlgh]h l_jfhklZIZ beb ^ZlqbdZ bkihevamy ^ey wlhc p_eb jZat_fu k [md_ggh pbnjh\hc b p_lh\hc fZjdbjh\dhc dhlhjZy iha\hey_l ba[_`Zlv hrb[db ijb ih e_c bkihevam_lky _^bgZy p_lh\Zy fZjdbjh\dZ dZ[_e_c Z dZ`^uc jZat_f hkgZs_g bglmb\gh ihgy mijhsZ_l ihbkd b mkljZg_gb_g_bkijZ\ghkl_c b l_ogbq_kdh_h[kem`b\Zgb_Z]j_]ZIZ

ü üö ö óú û ó üyüiíoûüü ö ö ýpóóú óy ðí

KH>?J@:GB?

```
JZaf_ju ^hihegbl_evguo ijbGZ^e_`ghkl_c
L_ogbq_kdb_ oZjZdl_jbklbdb \_glbeylhjZ
JZaf_ju
We_dljBq_kdb_ oZjZdl_jbklbdb
Hkh[_gghklb b ij_bfms_kl\Z
<ebygb_ \ukhlu gZ^ mjh\g_f fhjy
KljmdljZ mkeh\gh]h h[hagZq_gby
>hihegbl_evgu_ kbkl_fu j_]mebjh\Zgby l_fi_jZlmju
>hihegbl_evgu_ ijbGZ^e_`ghklb
:dmklbq_kdb_ oZjZdl_jbklbdb kgZjm`b ihf_s_gby
Kbkl_fZ mijZ\e_gby 3URGLJ\Š
GhfbgZevgu_ oZjZdl_jbklbdb
L_ogbq_kdb_ oZjZdl_jbklbdb
L_ogbq_kdb_ oZjZdl_jbklbdb ± =Zah\uc \ha^mohgZ]j_ \ZI_ev
JZaf_ju k\h[h^gh]h ijhkljZgkl\Z
FZkkZ Z]j_Zlh\ b dhfihg_glh\
```

øüû þ üiüñþóðí

① Fgh]hnZd_evGZy]hj_edZ ba ZebLb
 \Zgghc klZeb g_ikhj^akl\ _ggh_ bk
 djh\h_ aZ`b]Zgb_ we_dljhguc ^Z
 ieZf_gb ijbGm^bl_evGZy ih^ZqZ \h
 ^moZ \ahgm]hj_gby j_a_j\guc Z\
 fZlbq_kdbc h^gh beb ^\moklmi_gq
]Zah\uc deZiZg k jmqguf aZdjulb_

L_iehh[f_ggbd
 Dh`mohljm[guc l_iehh[f_ggbd ba
 ZebLbjh\Zgghc klZeb ijhr_e bkiu
 lZgby gZ ^he]h_qghklv

?keb l_fi_jZlmjZ kf_rZgg]h \ha^m
 gb`_ fK lh g_h[oh^bfh mklZgh\`
 l_iehh[f_ggbd ba g_j`Z_xs_c klZ
 ^hihegbl_evGZy ijbGZ^e_`ghklv

pîü ö ó íþíø ópöy ö- úíþøöþüððí ©&(ª üý ö
 øö øí óý ðü < dZq_kl_hipbb_

<k_ dhfihg_glu ih^kh_^bg_gu dkkZ_eyxlky Z]j_]Z_u
 l_f_ aZa_fe_gby \ khh\l_lkl\bb k_bkiheg_gbb k_fZjdb
 l_j[h\Zgbyfb klZg^Zj]h\ ih [_ah_ijhdhc 3&(´
 ghklb ijb l_ogbq_kdhf h[kem`b\Zgg]kljmdpby lZdbo Z]j_]Zlh\ hl
 ij_`ty\ey_fufb EZ[hjZ]hjb_c ih khh\l_lkl\mxsf l_j[h\Zgbyf qlh
 l_ogbd [_ah_iZkghklb 8/ b F_ih^moZ_ey_l_ijn^Z_lV bo \ kljZgZg
 jh^ghc we_dljhl_ogbq_kdhc dhfihg_glh\ dZ 3&(´ yley_lky h[yaZi
 FWD guf mkeh\b_f bkievah\Zgby dju`
 Oheh^hijhba\h^bl_evghklv baf_guZdhg^bpbhg_jh\
 ijb mkeh\byo j_]eZf_glbjh\Zgg]kljmdpby Z]j_]Zlh\ k fZjdbjh_dhc
 klZg^Zj]hf \$+5, Bg 3&(´ h_l_qZ_l l_j[h\Zgbyf ^bj_d
 klblml dhg^bpbhg]h\Zgby \ha^moZ h fZrbgghfm h[hjm^h\Zgbc
 hlhie_gby b hoeZ`^_gby ijb ghfb (& ih gbadh\hevlghfm h
 gZevghf gZijy`_gbb k_lb we_dljh^h\Zgbc ((& ih we_dljh
 iblZgby b ghfbgZevghf jZkoh^_fZ]gblghc kh\l_klbfhklb
 \ha^moZ Kbkl_fZ dhgljhey dZq_l\Zb ih]Zah\hfm h[hjm^h\Zgbc
 ijhba\h^akl\Z k_jlbnbpbjh\ZgZ \ kh ((& ih l_j[h\Zgbc aZdZa
 hl_lkl\bb k l_j[h\Zgbyfb klZg^Zj]Z ^ey dZ`^h]h Z]j_]ZIZ k fZjdb
 F_`AmgZjh^ghc hj]ZgbaZpbh\ldhc 3&(´ u^Z_lky ^_deZjZpbh\ldhc
 klZg^Zj]baZpbb ,62 kbkl_fZ h gZaZ`m\Z \ha^moZ
 h[hgm]hj_gby h[_ki_qb\Zxl aZsbl
 kbkl_fu
 >Zggu_ ^ey ih^[hjZ
 h[hjm^h\Zgby

We_dljhggh_ aZ`b]Zgb_ aZiZe
 ghc]hj_edb
 We_dljhguc aZiZevgbd h[_ki_qb
 gZ^`_gh_ g_ikhj^akl\ _ggh_ aZ`b
]Zgb_]hj_edb ijb ex[uo mkeh\byo
 wdkiemZIZpbb Kbkl_fZ mijZ\e_gb
 jZaj_rZ_l hldjulb_]eZ\gh]h]Zah
 \h]h deZiZgZ lhevdh ihke_ jha`b]
]hj_edb ljb bkq_agh_gbb ieZf_g
]Zah\uc deZiZg aZdju\Z_lky i_j_`
 Zy ih^Zqm]ZaZ \]hj_edm AZiZe
 hkgZs_g k_lh^bh^guf bg^bdZlhjh
 hlh]jZ`Zxsf _]h khklhygb_ b gZe
 qv`_g_bkijZ\ghklb
 Kbkl_fZ mijZ\e_gby jha`b]hf mklZ
 gh_gZ gZ aZ\h^_ba]hlh\bl_e_ \\
 k`d_ mijZ\e_gby
 H]jZgbqbl_evgu_ mkljhckl\Z
 H]jZgbqbl_evgu_ mkljhckl\Z mklZ
 gh_ggu_ gZ aZ\h^_ba]hlh\bl_e_`
 b]h`xl nbdkbjh\Zggmx mklZ\dm l_f
 Z]imju Mkljhckl\Z h]jZgbq_gby l_`
 jZlmju aZsbsZxl l_iehh[f_ggbd
 ijhqb_ dhfihg_glu hl i_j_]j_\Z
 ^Zg
 H]jZgbqbl_evgu hkh[_gghklvfb ^Zg
 guo Z]j_]Zlh\ ih kjZ\g_gbx kh kMj
 ^Zj]gufb Z]j_]ZIZf yleyxlky J_e_ dhgljhey ieZf_gb ^Zlqbd ie
 b kbkl_fZ gZ^am\Z \ha^moZ
 h[hgm]hj_gby h[_ki_qb\Zxl aZsbl
 kbkl_fu



Hlebqbl_evgu hkh[_gghklvfb ^Zg
 guo Z]j_]Zlh\ ih kjZ\g_gbx kh kMj
 ^Zj]gufb Z]j_]ZIZf yleyxlky J_e_ dhgljhey ieZf_gb ^Zlqbd ie
 b kbkl_fZ gZ^am\Z \ha^moZ
 h[hgm]hj_gby h[_ki_qb\Zxl aZsbl
 kbkl_fu
 >Zggu_ ^ey ih^[hjZ
 h[hjm^h\Zgby

‡AZsblZ we_dljBq_kdbo dhfihg_glh\
 hl ijyfh]h ijbdkgh_gby \ khh\l_lkl\bb k l_j[h\Zgbyfb (1
 kbkl_fu
 ‡AZsblZ hl i_j_]jmadb \k_o we d
 ljbq_kdbo p_i_c fhsghklvx
 d<l
 >Zggu_ ^ey ih^[hjZ
 h[hjm^h\Zgby

‡K[ehdbj]h\Zgguc k ^_jvx aZibjZ_
 fuc gZ aZfhd \udexqZl_ev jZat<`
 gh]Zah\h]h gZ]j_\ZI_ey ±
 gbl_ev bkdexqZxsb c \hafh`ghkldZau\Z_lky h^bg ba ke_`^mx
 ^hklmiz d we_dljBq_kdbf dhfihg_g
 b_ o ijb[hjh\
 lZf ijb \dexq_gghf we_dljhiblZ
 klZg^Zj]guc]Zah\uc gZ]j_\ZI_ev
 gbb < dhfie_dl ihklZ\db \oh^b\
 _moklmi_gqZluc d<l
 \bkyqbc aZfhd ^ey [ehdbj]h\db \y
 dexqZl_ey jZat_`bgbl_ey \ HLDE`
 Q?GGHF iheh`_gbb ba\h^bl_evghklb ^\moklmi_gqZluc
 d<l
 ‡<ukhdh\hevlgu_ b gbadh\hevlgu_
 p_ib ijheh`_gu jZa^_evgh gZ a=Zah
 \ha^moZ h[hgm]hj_gby h[_ki_qb\Zxl aZsbl
 kbkl_fu
 >Zggu_ ^ey ih^[hjZ
 h[hjm^h\Zgby

ba\h^bl_evghklb ^\moklmi_gqZluc
 d<l

ü üö ö ó ú ó üyüíóúüüý ö ö ýþóóú óý ðî

øüü þ üiüñþóðî

øüü þ ü üîðöóüö

†ljhklZy qbkldZ b l_ogbq_kdh_ h[

Dhglkljmdpby dhglmjZ h[_ki_ qb \Z _b \Zgb_ jZa^_ evgZy dhglkljmdpby

fZdkbfZevgm x y l gmx b kdjulm x L_ i e h h [f_ g g b d a Z d j_ i e_ g g Z Z j]_

>hihegbl_evgu_ ijb gZ^e_ ghklb ^hihjbah^abl_evghklv ijb jZkq_ i g u b f h s v x f h g l Z ` g u o d j h g r l_ c g h \

mkeh\byo k j_ a b g h \ u f b i j h d e Z ^ d Z f b W l h h [

MklZgZ\eb\Z fu gZ aZ\h^_ dhglmj fh`_l nmgdpbhgbjh\Zlv i j b

lhl\bl_e_ l_fi_jZlmjZ o h l ^ h f K [_ a

L_ i e h h [f_ g g b d b a g_ j ` Z _ x_ b k i e v a h \ Z g b y ^ h i h e g b l_ e v g u o

s_ c klZeb mkljhckl\ mijZ\ e_ g b y

G_h [o h ^ b f _ k e b l_ f i_ j Z l m j Z k f_ o e Z ^ A Z]_ g l 5 \$

rZgghjh \ha^moZ himkdZ_lky g b o e z ^ z k_ g l

MklZgZ\eb\Z fu gZ f kl_ w d k j_ b l o e h j Z b

iemZIZpbb beb gZ aZ\h^_ b a l h_ j Z a j m r Z_ l h a h g h \ u c k e h c

lhl\bl_e_ l h ^ h j j _ Z l_ e b d Z j l_ j h \ d h f_ i j_ k k h j h \

Gbadhl_fi_jZlmjguc we_ dl h j_ j] Z l u \ k_ o f h ^ _ e_ c h k g Z s_ g u

gZ]j_ _ Z l_ e v ^ e y _ k l b [x e _ c k i b j Z e v g u f b d h f i j_ k k h j Z f b q l h

We_dljhgZ]j_ _ Z l_ e v Z l h f Z l b q_ k d b k i _ q b _ Z l_ f Z d k b f Z e v g m x w n

h[_ k i_ q b _ Z l_ i h ^ ^ _ j ` Z g b_ f b g b l b g h k l v b g Z ^ _ ` g h k l v Z I Z d `

fZevghc ^himklbfhc l_fi_jZlmjguc m j h \ g v r m f Z

h k _ d _] Z a h \ h j h \ h a ^ m o h g Z] j_ _ Z l_ e v

ijb l_fi_jZlmj_ gZjm`ghjh \ha^moZ ^ e y k g b ` _ g b y m j h \ g y r m f Z d h f i j

gb`_ `F& k h j u m k l Z g h \ e _ g u g Z m i j m] b o j

MklZgZ\eb\Z fu gZ f kl_ l h ^ h j j _ Z l_ e b d Z j l_ j h \ d h f_ i j_ k k h j h \

wdkiemZIZpbb l h a y e y _ l b a [_ ` Z l v i h i Z ^ Z g b y f Z k e Z

<kIZ\db ^ey aZ[hjZ \ha^moZ] h a y e y _ l b a [_ ` Z l v i h i Z ^ Z g b y f Z k e Z

]hj_gby \gmljv dhfij_kkhjZ \h \j_fy jZ] i j b g b a d b o l_ f i_ j Z l m j Z o h d j m

J_dhf_g^mxlky d i j b f_ g_ g b x k h i j b g b a d b o l_ f i_ j Z l m j Z o h d j m

\f_klgh k dhfie_dlhf m^ebg_gby h \h a ^ m o Z

^ufhoh^Z \ mkeh\byo dh]AZ [hevrh

kdhie_gb_ kg_]Z fh`_l ijb _ k i b _ l _ i e h h [f_ g g b d d h g ^ _ g k Z l h j

[ehdbjh\d_ \ha^mohaZ[hjgh]h h \ / H Q Q R [† (Q Y L U R Q O E

klby AZdZau\Zxlky ^\Z dhfie_ dl j _ Z l u h k g Z

Dhfie_dl ^ey bkihevah\Zgby b dhfiZdlgufb

k`b`_ggh]h g_nlygh]h]ZaZ l_ i e h h [f_ g

ijhiZgZ g b d Z f b d h g

Dhfie_dl ^ey i_j_oh^Z k i j b j h ^ g h i g ^ _ g k Z l h j Z f b

]ZaZ gZ k`b`_gguc g_nlyghc]ZaZ b a h j h \ e _ g g u f b

iZg AZdZau\Zxlky ^\Z dhfie_ dl b a i e h k d b o Z e x

Dhfie_dl ^ey m^ebg_gby \ha^m_ f b g b_ \ u o l j m [

oh\h^Z \ _j_lbdZevghf gZijZ_ k _ Z e x f b g b_ \ u f

e_gbb h j _ [j _ g b _ f i Z y g Z y d h g k l j m d p b y s_ k l e y _ l k y Z l h f Z l b q_ k d b

Ij_ agZagZq_g ^ey luimkdZ ufhdhg^_gkZlhjZ ylexlky

]Zah _ j_lbdZevgh _j_o G_h [o h ^ b f _ k e b l_ f i_ j Z l m j Z o h d j m

dh]AZ \ha^moh\luimkdgh_ hl _ j_k l b e h e z _ k g g h _ f _ ^ m g b f b h j _ [j _ g b _ f _ j g h] h i Z ^ _ g b y ^ Z l e _ g b y d h l h j h

ihch`_gh kebrdhf [ebadh d \ha^moZ d h e e _ d h j Z o e Z ^ A Z]_ g l Z

aZ[hjguf hl _ j_k l b y f a^Zgby >Zg u c h l e b q b l_ e v g u_ h k h [_ g g h k l b l_ i e h h [f_ g g b d d h g ^ _ g k Z l h j Z / H Q Q R [† (Q Y L U R Q O E o e Z ^ A Z]_ g l Z Z I Z d ` _ i j b

dhfie_dl lZd`_ iha\hey_l ba [_ ` Z l v i h i Z ^ Z g b y f Z k e Z

h[e^_g_gby kl\hjhd \ha^mohaZ[hjgh]h h \ i j b g b d Z d h g ^ _ g k Z l h j Z

j_r_ldb AZdZau\Zxlky ^\Z dhfie_ dl i j b g b d h f b e b g m e _ \ h f j Z k o h ^ _ \ h a ^

Dhfie_dl khklhbl ba \ha^moh\h^_ j _ j o g h k l _ c l _ i e h h [f_ g Z g Z k l i j h g

ljhcgbdZ dhaujvdZ ^ey aZsblu h j _ j o g h k l _ c l _ i e h h [f_ g Z g Z k l i j h g

fhkn_jguo \ha^_ckl\bc b dj_i`_ g g u g M f _ g v r _ g g u c \ g m l j _ g g b c h [t _ f ^ e y k [h j Z d h g ^ _ g k Z I Z

we_f_glh \ l _ i e h h [f_ g g b d Z m f _ g v r _ g b _ f Z k k m [h d ^ e y h l \ h ^ Z d h g ^ _ g k Z I Z j

IJBF?Q:GB? l j y f u _ \ h a ^ m o h \ h a ^ u a Z i j Z l e y _ f h] h o e Z ^ A Z]_ g l Z i h e h ` _ g k [h d m

ff k_dpby ijhoh^Z q_j_a d j h l u k h d Z y g Z ^ _ g h k l v i h e g h k l v x

ex b dhaujvdb g_ \oh^yl \ dhfie_dZxfbgg_\Zy dhglkljmdpby l_e_ f h ` _ l [u l v m k l Z g h \ e _ g i h ^ ^ h g

ihklZ\db b ijbh[j_lZxlky ihlj_[b †Mf_gvr_gh dhebq_kl\h iZyguo k a g _ j ` Z _ x s _ c k l Z e b

l_e_f >hihegbl_ev gZy bgnhjZpby bg_gbc

ijb\^_gZ \ ^hdmf_glZpbb gZ kh dh f i Z d l g Z y d h g k l j m d p b y m f _ g v r _

kl\mxsbc dhfie_dl g b _ f Z k k u Z j] _ j Z I Z

Fhgh[ehqguc p_gljZevguc dhg^bpbhg_j k]Zah\uf \ha^mohgZ] _ _ Z l h b a \ h ^ a Q I H U J K O P W h l ^ h d < l = p K l j

ü üö ö óù û ó üyüíóúüü ö ö ýpóóú óy ðí

øüü þ ü úîôòóúö

J_e_ mjh\gy \h^u \ ih^^hg_ MkIZgZ\eb\Z fu_gZ f_kl_ wdk
^ey hl\h^Z dhg^_gkZIZ iemZIZpbb
Dhgljhebjm_l mjh\ _gv \h^u \ ih^^h
L_jfhklZlu aZsblu hl aZfhjZ-g_ ^ey hl\h^Z dhg^_gkZIZ hldexaZ_ ij_ ^_ evgh]h ^Z\ e_gby
`b\Zgby Z]j_]Zl ijb aZkhj_gbb ebgb hllh^hgh]h \ha^moZ
AZsbsZxl bkiZjbl_ev hl ih\j_` dhg^_gkZIZ J_e_ k jmqguf k[jhkhf mkIZgZ\eb\
^_gbc \ j_amevlZI_ aZfhjZ`b\Zgby l_ky gZ f_kl_ fhglZ`Z b kem`bl ^e
dhljh_ fh`_l \hagbdgmlv_gZijb]h^hg ba g_j`Z\ _xs_c klZeb]jZgbq_gby fZdkbfZevgh]h ^Z\ e
ijb gbadhf beb gme_\hf jZkoh^`ha Dhhahbgghklhcdbc ih^^hg ^ey ih^hgh]h \ha^moZ lha\hey_l ba
^moZ q_j_a bkiZjbl_ev beb ijb g_ dhg^_gkZIZ [_`Zlv g_ ^himklbfh]h ih\ur_gby
klZlhqghf dhebq_kl\ aZijZ\ e_ggh]h ^Z\ e_gby \ha^moZ \ ijb]hghf \ha
\ dhglmj oeZ^Z]_glZ ^moh\h^_ < fhglZ`guc dhfie_dl ^Z

6 We_dljh^b]Zl_eb _glbeylh-
jh\ dhg^_gkZihjZ
L_ieh\Zy aZsblZ hl i_j_]jmadb
f_lbqguc dhjmk_g_h[kem`bZ_fu_
rZjbdh\ u_ ih^rbigbdb _j]bdZevg
jZkiheh`_gb_ \ZeZ aZsblgZy j_r_

Rbjhdbc \u[hj ijb]hgguo _glbeylh-
jh\ k jZaebqgufb ijb]gZ^e`_ghklyf
^ey m^h\ e_l\hj_gby jZaebqguo lj_[h
L_zgbc ih jZkoh^m \ha^moZ
We_dljh^b]Zl_ev
HkgZs_g aZsblhc hl i_j_]jmadb b_rZ
jbdh\ufb ih^rbigbdZfb
Dhgkljmdpby
IZg_eb ba lhekllhc ebklh\hc klZeb
h]j_Zlu \k_o fh^_e_c hkgZs_gu fhglZ`gZy jZfZ ba lhekluo ijhne_
we_dljh^b]Zl_eyfb k j_f_gguf ijb hpbgdh\Zgghc klZeb h[_ki_qb\
ba^hf lbi]hZaf_j dh]hjuo aZ\bk]h]h
ijb]hghklv dhgkljmdpbb qlh mijhs
lj_[h\Zgbc ih jZkoh^m \ha^moZ ijZgkih]bjh\Zgb_ ih]jmadm jZa]
dm b fhglZ` Z]j_]ZIZ

>Zgg_u_ ^ey ih^h]Z
h[hjm^h\Zgby

ljb]hgguc _glbeylhj
K aZ]gmlufb \i_j_ ^ ehiZldZfb j_Zh
q_]h dhe_kZ ^\mklhjhgg_]h \kZk]bZ
gby jZ[hq_ _ dhe_kh k[ZeZgkb]h\ZghZ`ghc jZf_ k lj_o klhjhg bf_

Oeh^hijhba\h^bl_evghklv
Hij_ ^_ ebl_ ghfbgZevgmX oeh^h
ba\h^bl_evghklv Z]j_]ZIZ

kl]h]bq_kdb b ^bgZfbq_kdb HkgZs_g
j_f_gguf ijb\h^hf k j_]mebjm_fuf_eZ]h^Zjy \uklmiZxsbf djhfdZf hl
rdb\hf \hafh`ghklv j_]mebjh\Zgby
kdh]hklb \jZs_gby \h^h\ b hl_jklbx ^ey \h^hZ dZ[_e_

>hihegbl_evgu_ ijb]gZ^e`_ghklb

<_glbeylhjguc [ehd fh`gh bale_jZk]h^h`_gghfm \ ^gbs_ dhjimkZ

MkIZgZ\eb\Z fu_gZ aZ\h^_

ba^Z]j_]ZIZ ^ey ijh`_ ^_gby l_ogbq_kk_qb\Z_lky ^hihegbl_evGZy aZ

>Zlqbd l_fi_jZlmju ijb]hgh]h

d]h] h[kem`b\Zgby
IZ hl ihiz^Zgby \h^u \gmljv dhjimk

>Zlqbd ihkueZ_l kb]gZe gZ dl

KfZahqgu_ mkljhckl\Z \oh^bl \ dhf
fe_dl ihklZ\db
<u[hj klhjhgu ih^kh_ ^bg_gby
\ha^moh\h^h\
lhklZ\eyx]ky Z]j_]Zlu k ih^kh_ ^bg

Z]j_]ZIZ dh]h]uc bkihevam_l

h[hjm^h\Zgby
>ey h[_ki_q_gby]hjbahglZevghc
^Z\ b \ha^moZ Z]j_]Zl ^he`_g [ulv

ih^^_j`Zgby aZ^Zgghc l_fi_jZlmju

hkgZs_g fhglZ`ghc jZfhc k ih^kh
^bg_gb_f \ha^moh\h^h\ k[hdm

\ha^moZ iml_f mijZ\ e_gby klm]h]v

>ey ij_h[jZah\Zgby Z]j_]ZIZ k ih^
^bg_gb_f \ha^moh\h^h\ kgbam \

h[h]j_\Z beb klmi_gyfb hoeZ`_aZlv fhsghklv we_dljh^b]Zl_ey`_g

lZl k ih^kh_ ^bg_gb_f \ha^moh\h^h\
k[hdm g_h[oh^bfh mkIZgh\blv khh
kl\mxsbc dhfie_dl iZg_e_c

>Zlqbd ihklZ\ey_lky \ dZq_`_h

lZl k ih^kh_ ^bg_gb_f \ha^moh\h^h\
k[hdm g_h[oh^bfh mkIZgh\blv khh
kl\mxsbc dhfie_dl iZg_e_c

^hihegbl_evghc ijb]gZ^e`_ghklb

lZl k ih^kh_ ^bg_gb_f \ha^moh\h^h\
k[hdm g_h[oh^bfh mkIZgh\blv khh
kl\mxsbc dhfie_dl iZg_e_c

Z]j_]Zl h\ k mijZ\ e_gb_f h^ghc

lZl k ih^kh_ ^bg_gb_f \ha^moh\h^h\
k[hdm g_h[oh^bfh mkIZgh\blv khh
kl\mxsbc dhfie_dl iZg_e_c

beb k [ZciZkbjh\Zgb_f ahg >Zlqbd

lZl k ih^kh_ ^bg_gb_f \ha^moh\h^h\
k[hdm g_h[oh^bfh mkIZgh\blv khh
kl\mxsbc dhfie_dl iZg_e_c

\oh^bl \ dhfie_dl ihklZ\db Z]j_]Zl

lZl k ih^kh_ ^bg_gb_f \ha^moh\h^h\
k[hdm g_h[oh^bfh mkIZgh\blv khh
kl\mxsbc dhfie_dl iZg_e_c

ü üö ö óú û ó üyüíóúüü ö ö ýpóóú óy ðí

ø üpý ÿ

agZq_gu ^ey aZsblu gZjm`guo l;Ziehhjbpbp^agu_ eZfiu baemqZxl me
hff_ggbdh\ hl ih\j_`^_gby jJZ^hfjZnbhe_lh\uc k_l MN dhlhju
ebjh\Zgh Kehc baheypbb h[_ki_gbbh^ihevamxlky h^gh\j_f_ggh k_wz
_l]_j_f_lbgghklv ihkZ^db fhgIZ`ghh_gufb j_r_ldZfb l_ieh[hf_ggbdh`
jZfu mkljZgyy g_h[oh^bfhklv \ mgbqlh`Zxl kZfb fbdjhj]Zgbafu b
^hihegbl_evghc baheypbb ijb _ Dhfie_dl iZg_e_c ^ey ih^kh-m]g_lZxl bo kihkh[ghklv d jZafgh
mklZgh\d_ _^bg_gby \ha^moh\h^h\ k[hdm^x
Dhfie_dl mklZgZ\eb\Z_fuc kh\fmN emqb kms_kl_ggh aZf_`^eyxl

9 K_j\bkgu_ iZg_eb gZ i_leyo gh k fhgIZ`ghc jZfhc k ih^kh`^bgjZkijhkljZg_gb_ ie_k_gb b ^jml
K_dpbb nbevljZ _glbeylhjZ b gbf\ha^moh\h^h\ k[hdm < khkZb[hj]Zgbafh\ [Zdl_jbc b \bjmk
ij_kkhjZ [ehdZ mijZ\`e_gby hkgZbfgu`dZ \oh^b\ iZg_ev k hl`jgZb[hj]Z\Zlu\Z_fuo ih\joghklyo d
ih\hjhgufb gZ i_leyo k_j\bkgufb`^ey j_pbjdmeypbhggh]h\ha^mZbeh wlh l_ieh[hf_ggbd b ih^h
iZg_eyfb Ki_pbZevguc bgkljmf`mklZgZ\eb\Z_lky \f_klh klZg^Z\jgh^k[hjZ dhg^_gkZIZ
^ey hldjulby g_lj_[m_lky iZg_eb b iZg_ev aZdju\ZxsZy`eZfiu mklZgZ\eb\Zxlky gZ f_kl_
<k_ ih\hjhg_u_ iZg_eb hkgZs_gu _jklb_ ^ey j_pbjdmeypbhggh]h\ha^Z`Z \ k_dpbb _glbeylhjZ` bk
miehlg_gbyfb b jmdhyldZfb k nbdkZ`h` ^gbs_ Z]j_]ZIZ kf q_jl`iZ]bl_ey
jhf ih\hjZqb\Zxsbfky gZ q_l_jlv <k_g_h[oh^bfu_ dj_i_`gu_ we_f_
h[hjhIZ Miehlg_gby h[_ki_qb\Zxl`uø pö öyøö ö
\ha^moh b \h^hg_ijhgbpZ_fhklv`üúýüüó

>hihegbl_evgu_ ijbZg^e`ghklb <k_ Z]j_]Zlu ij_`gZagZq_gu ^ey j`h`guo dhg^bpbhg_jh\ hkms_kl`e
dexq_gby d h^ghfm bklhgqgbdm`l`k`y`gh`k`lb < lh \ p_iv ib
MklZgZ\eb\Z fu gZ aZ\h^_`e`a`kgZs_gu [ehdhf aZ`bfh\ b [ehdhf`
lhl\bl_e_`eZ\dbo ij_`hojZgbl_e_c jZkihen`
ggufb \ kh`bgbl_evghc dhjh`l`b`tu MN eZfiu fh`gh ih^dexqblv d
hl^_evghc k_lb <

AZsblZ hl dhjjhabb K_kl_fZ 6PDUW:LUHÖ
H[_ki_qb\Z_lky ihdjulb_f ihem`k`k`h`g`jr_gkl\h`Zggu_ jZat_fu k`l`md`
guf f_lh^hf hdmgZgby k kmohc`M`e`h`g`pbnjh\hc b p_lh\hc fZjdb`l`m`
dhc gZg_k_gghc we_dljhhkZ`^_`g`gh`pbng`h`c`b`p`l`h`hc`fZjdb`l`m`
\$67 (OHFWUR)LQ (&RDW`K`h`h`c`l`k`h`a`h`e`y`x`s_c ba[_Zlv hrb`l`e`
ki_pbnbdZpbb 0,/ 3`fbgklijb ih^dexq_gbb >ey \k_o fh^_e_`e_`
klZ h[hjghu KR: ijreh bkiulZ`g`y`i`hevam_lky _`^bgZy p_lh`Zy fZidh`
\khe_hf lmfZg_ kh]eZkgh klZg`Z`id`dZ[_e_c DZ`^uc jZat_f hkgZ`
\$670 %`s_g bglmblb\gh ihgylguf yjeudh`h`h`g`h`j`Zah_u_ kdez^qZlu_ \ha^mrg
AZsblZ hl dhjjhabb \gmlj_ggbo`W`h`agZqbl_evgh mijhsZ_l ihbk`n`b`evlju`l`hesbghc`ff`deZkkZ`
_joghkl_c`mkljZg_gb_g_bkijZ\ghkl_c b l`0`0`59`beb 0(59`aZy`e`ggh`
`aZsblgh_ ihdjulb_ l_ieh[hf_ggbdZ`g`kdh_ h[kem`b\Zgb_ Z]j_]ZIZ`agZq_gb_ fbgfZevghc wnn_dlb\g`
`ZhdhjZkxqgh_ ihdjulb_ dhj`_`Z`ggu_ ^ey ih^[hjZ`kib khhl_lkl`m_l \$6+5\$(
_glbeylhjZ`h[hjm^h\Zgby`Dhfie_dl aZiZkguo nbevljh\ k`
`ZhdhjZkxqgh_ ihdjulb_ \gmlj_ggbo`K_lv we_dljhiblZgby`jZfdhc`
ih_joghklb ^gbsZ`K_lv we_dljhiblZgby`>ey aZf_gu mklZgh`e`gguo gZ Z]`
AZsblZ hl dhjjhabb gZjm`guo ih`m`Z`au\Z_lky ijb aZdZa_ Z]j_]ZIZ`yq_cdh\uo nbevljh\ < dhfie_dl \o`
ghkl_c`M`Z`au\Z_lky ijb aZdZa_ Z]j_]ZIZ`^bl fhxsZyky f_lZeebq_kdZy k_ld`
`aZsblgh_ ihdjulb_ l_ieh[hf_ggbdZ`f_lZeebq_kdZy jZfdZ k aZ`bfhf ^e`
`ZhdhjZkxqgh_ ihdjulb_ gZjm`ghc`dj_ie_gby aZf_gy_fh]h nbevljmxs`
ih_joghklb ^gbsZ`ø í óy ðü öüöò î`jh fZl_jbZeZ g_ yq_cdh[h]h`

MklZgZ\eb\Z fu gZ f kl_ wdk`
lhl\bl_e_`iemZIZpbb`
MklZgZ\eb\Z fu gZ f kl_ wdk`
iemZIZpbb`

AZsblgu_ j_r_ldb l_ieh[hf_g`H^ghjZah_u_ nbevlju lhesbghc`
gbdh\`ff \oh^yl\ klZg^Zjlguc dhfie`>Zlqbdb dZq_kl\Z \gmlj_gg_]h`
ljh\hehggu_ j_r_ldb ba hpbgdh`Zg`l`h`a`moZ`dhgp_gljZpbb &2`
ghc klZeb k eZhdhjZkxqguf ih`_`>Zlqbdb baf_jyxl dhgp_gljZpbx &`
^ey aZsblu gZjm`guo l_ieh[hf_g`b`i_j_`^Zxl j_amevlZlu baf_j_gbc`
gbdh\`gZ`dhgljhee_j`3UR`K`b`j`k`h`
G_bkihevamxlky h^gh\j_f_ggh`MklZgZ\eb\Z fu gZ aZ\h^_`l`a`l`kl`m`x`sb`f`h[jZahf`mijZ`ey_l`
f_gIZfb ^ey aZsblu hl jJZ^Z`l`h`l`bl_e_`\ha^mrgufb deZiZgZfb kf_kbl_ev`g`
MevljZnbhe_lh_u_ [Zdl_jbpb^agudZf_ju`

AZsblgu_ j_r_ldb`eZfiu +HDOWK\`&OLPDWH`
lj_`gZagZq_gu ^ey aZsblu hl ih`
iZ^Zgby qZkl_c l_eZ b ihklhjggbo`
ij_`af_lh\ f_`^m gZjm`gufb l_ieh`
h[f_ggbdZfb b dhjimkhf`

We_f_glu aZsblu hl jJZ^Z`
We_f_glu ba lhekhhc ebklh\hc klZeb`
hdjZr_gghc \ p_l dhjimkZ ij_`gZ`

Fhgh[ehqguc p_gljZevguc dhg^bpbhg_j k]Zah\uf \ha^mohgZ]p`_Z`h`ba`l`h`^`Q`H`U`H`K`F`H`hl` ^h` d<l` =p` Klj`

òüýüüüö óù û ó ýpöûîòùóôüÿ ö

12 üý öö òù ýúóýö óù -
ûü÷ øíúób øüüü-
úí÷óóíí

GZkljhcdZ b mijZ\e_gb_ jZ[hlh
wdhghfZca_jZ hkms_kl\ey_lky k
svx dhgljhee_jZ 3URGLJ\

lh^dexq_gb_ wdhghfZca_jZ d d
ljhee_jm Zjj_ZIZ hkms_kl\ey_lk
ihfsvx jZat_fZ qlh agZqbl_ev
mijhsZ_l fhglZ`
<k_djurgu_dhg^bpbhg_ju
(QUUJHQFH hkgZs_gu mklZghle
gZ aZ\h^_ ba]hlh\bl_e_ ^ZlqbdZ
_qZxsfbf lj_h\Zgbyf &(& 7LW
Wlb ^Zlqbdb bkihevamxly ^ey
jbg]Z_lfi_jZlmju gZjm`gh]h j
dmeypbhgg]h b ijblhggh]h \ha
<f_klh ^Zlqbdh\ Zjj_ZIZ fh`gh
ihvah\Zlv ^hihegbl_evgu_ ^Zlq
^ey baf_j_gby_lfi_jZlmju gZjm`
gh]h \ha^moZ gZ ij_`f_l \hafh`
bkihevah\Zgby nmgdppb _kl_kl
hoeZ^`_gby Kf lZ[ebpm ^hihe
l_evguo ijbgZ^e_`ghkl_c

MklZgZ\eb\Z fu_gZ f_kl_wdk
iemZlZpbb beb gZ aZ\h^_ ba]h
lh\bl_e_

Hkh[_gghklb dhgkljmdpbb wdh
ghfZca_jZ klZg^Zjlgh_ b \ukh
dhwnn_dlb\gh_ bkiheg_gb_ h^gh
Dhauj_d ^ey aZsblu wdhghfZca_j
Zlfhkn_jguo \ha^_ckl\bc \oh^bl
dhfie_dl ihklZ\db
?keb kf_kbl_evgy dZf_jZ mklZgZ\
eb\Z_lky gZ aZ\h^_ ba]hlh\bl_e_ H
dhauj_d lZd`_ mklZgZ\eb\Z_lky D
aZ\h^_ ba]hlh\bl_e_ ?keb kf_kbl_k
gZy dZf_jZ mklZgZ\eb\Z_lky gZ m
fhglZ`Z lh dhauj_d \oh^bl \ dhf
ihklZ\db

Hkh[_gghklb dhgkljmdpbb klZg
^Zjlgh]h wdhghfZca_jZ
<ha^mrgu_ deZiZgu ijblhggh]h
gZjm`gh]h \ha^moZ k iZjZee_ev
\jZs_gb_f kl\hjhd k ijb\h^hf q_j
am[qZlmx i_j_`^Zqm lh^kh_`bg_g
Zjj_ZlM k ihfsvx we_dljbq_kd

kh_`bgbl_ey_g_cegh\l_ ih^rbld
db_g_hij_gh\h_miehl_g_gb_ ijb\h
k iblZgb_f hl k_lb_ < b ijm`bg
\ha]Zlhf ieZ\gh_j_]mebjh\Zgb
gZkljZb\Z_fZy fbgbfZevgZy kl_ig
hldjulb deZiZgZ

IJBF?Q:GB? AZ\h^kdZy mklZ\`dZ
^ey Zdlb\Zpbb nmgdppb _kl_kl\
hoeZ^`_gby khklZ\ey_l f&

Hkh[_gghklb dhgkljmdpbb \ukh
dhwnn_dlb\gh]h wdhghfZca_jZ
<ha^mrgu_ deZiZgu j_pbjdmeypbh
gh]h b gZjm`gh]h \ha^moZ k ijb
q_j_a am[qZlmx i_j_`^Zqm k ijm`
\ha]Zlhf iblZgb_ hl k_lb_ < i

gh_j_]mebjh\Zgb_ ih^kh_`bg_g
Zjj_ZlM k ihfsvx jZat_fZ ih^kh_`
gbdb ba_g_j`Z\`xs_c klZeb mkba_g
gh_g_hij_gh\h_miehl_g_gb_ kl\hjhd
k jZfu ba_g_j`Z\`xs_c klZeb ^ey ih
k ihfghby]_jf_lbgghklb deZiZg
Hv öö òù òíúóúö
öüöò î

MijZ\`e_gb_ wdhghfZca_jhf ih
kZagghklb_lfi_jZlmj MklZgZ\
^Zlqbdb_lfi_jZlmju gZjm`gh]h
pbjdmeypbhggh]h \ha^moZ \oh^
dhfie_dl ihklZ\`db Zjj_ZIZ Dhgl
URGLJ\ kjZ\gb\Z_l baf_j_gguy_m
^fi_jZlmju gZjm`gh]h b j_pbjdm
ba^moh\h^Zo
k kZexfbgb_\ufb kl\hjZfb
Zca_j Zdlb\bjm_lky _keb_lfi_j
ZlmjZagZq_gu ^ey \uimkdZ ba[ul
gZjm`gh]h \ha^moZ gb`_mklZgh
gh]h \ha^moZ Hgb_iha\heyxl_ba
gb_`_lfi_jZlmju j_pbjdmeypbh
gh]h \ha^moZ ijZlgu lhdh\ b ij_yl
ijhgbdgh\`gbx \ \ha^mrguc dhgl
ZjZjm`gh]h \ha^moZ \i_jbh^ dh]
Zl hldexq_g DeZiZgu hkgZs_`
Z_r_l dhc ^ey aZsblu hl ilbp
k iZa_gZ aZ\h^_ ba]hlh\bl_e_ mkl
ghklb ihdZaZgbc ^Zlqbdh\ beb g
e_gb_ ih ihdZaZgbyf h^gh]h ^Zlq
wdhghfZca_j k ij_`hojZgbl_evgu

MklZgZ\eb\Z fu_gZ f_kl_wdk
iemZlZpbb beb gZ aZ\h^_ ba]h
lh\bl_e_

Hkh[_gghklb dhgkljmdpbb wdh
ghfZca_jZ klZg^Zjlgh_ b \ukh
dhwnn_dlb\gh_ bkiheg_gb_ h^gh
Dhauj_d ^ey aZsblu wdhghfZca_j
Zlfhkn_jguo \ha^_ckl\bc \oh^bl
dhfie_dl ihklZ\db
?keb kf_kbl_evgy dZf_jZ mklZgZ\
eb\Z_lky gZ aZ\h^_ ba]hlh\bl_e_ H
dhauj_d lZd`_ mklZgZ\eb\Z_lky D
aZ\h^_ ba]hlh\bl_e_ ?keb kf_kbl_k
gZy dZf_jZ mklZgZ\eb\Z_lky gZ m
fhglZ`Z lh dhauj_d \oh^bl \ dhf
ihklZ\db

Hkh[_gghklb dhgkljmdpbb klZg
^Zjlgh]h wdhghfZca_jZ
<ha^mrgu_ deZiZgu ijblhggh]h
gZjm`gh]h \ha^moZ k iZjZee_ev
\jZs_gb_f kl\hjhd k ijb\h^hf q_j
am[qZlmx i_j_`^Zqm lh^kh_`bg_g
Zjj_ZlM k ihfsvx we_dljbq_kd

kh_`bgbl_ey_g_cegh\l_ ih^rbld
db_g_hij_gh\h_miehl_g_gb_ ijb\h
k iblZgb_f hl k_lb_ < b ijm`bg
\ha]Zlhf ieZ\gh_j_]mebjh\Zgb
gZkljZb\Z_fZy fbgbfZevgZy kl_ig
hldjulb deZiZgZ

IJBF?Q:GB? AZ\h^kdZy mklZ\`dZ
^ey Zdlb\Zpbb nmgdppb _kl_kl\
hoeZ^`_gby khklZ\ey_l f&

Hkh[_gghklb dhgkljmdpbb \ukh
dhwnn_dlb\gh]h wdhghfZca_jZ
<ha^mrgu_ deZiZgu j_pbjdmeypbh
gh]h b gZjm`gh]h \ha^moZ k ijb
q_j_a am[qZlmx i_j_`^Zqm k ijm`
\ha]Zlhf iblZgb_ hl k_lb_ < i

òüýüüûö óù û ó ýþöûîòùóôûüÿ ö òù

lj^hojZgbl_evgu_deZiZg
^ey mklZgh\db \]hjbahglZ
guo \ha^moh\h^Zo
lj^gZagZq_gu ^ey Z]j_Zlh\ hkgZ
s_gguo kf_kbl_evghc dZf_jhc
kh^bg_gb_f \ha^moh\h^h\ k[hdm
lj^gZagZq_gu ^ey \uimkdZ ba
gh]h \ha^moZ
DeZiZgu k Zexfbgb_\ufb kl\hjdZ
ij_ahl\jZsZxl ihiz^Zgb_ \ \ha^m
guc dhgImj hljZ[hIZggh]h b gZjm
\ha^moZ \ i_jbh^ dh]^Z Z]j_Z
dexq_g
MklZgZ\eb\Zxlky gZ f_kl_ fhgIZ
\ha^moh\h^ j_pbjdmeypbhggh]
^moZ Dhauj_d ^ey \ha^moh\ui
hl_jklby k j_r_ldhc ^ey aZsblu
ilbp \oh^bl \ dhfie_dl ihklZ\db
Dhfie_dl ^ey baf_g_gby dhgnb
jZpbb kf_kbl_evghc dZf_ju k ih
kh^bg_gb_f \ha^moh\h^h\ k[hdm
ihklZ\ey_lky ^ey bkihevah\Zgby
f_kl_ fhgIZ`Z

lh^kh ^bg_gb \ha^moh\h^h\
k[hdm
:]j_ZI k ih^kh^bg_gb_f \ha^moh
^h\ kgbam fh`_l [ulv ij_h[jZah\Zg
Z]j_ZI k ih^kh^bg_gb_f \ha^moh
^h\ k[hdm <ha^moh\h^ j_pbjdme
gh]h \ha^moZ ih^kh^bgby_lky d Z
]Zlm \ha^moh\h^ j_bihqgh]h \ha^
ih^kh^bgby_lky d fhgIZ`ghc jZf_
kf q_jl`b
ih^kh^bg_gby \ha^moh\h^h\
k[hdm g_h[oh^bfh mklZgh\blv kh
kl\msbc dhfie_dl iZg_e_c
lhklZ\eyxlky jZfu \ukhlhc b
ff
ij_ahl\jZs_gby h[jZah\Zgby
^gkZIZ ihklZ\ey_lky ^hihegb
guc dhfie_dl baheypbb
hl
fhnkn_jguo \ha^_ckl\bc
k^bg_ggu_ ^jm] k ^jm]hf
DeZiZgu j_]mebjmx
^bgby \ha^moZ
^gkZIZ ihklZ\ey_lky ^hihegb
guc dhfie_dl baheypbb
hl
fhnkn_jguo \ha^_ckl\bc \oh^bl
dhfie_dl ihklZ\db
ýü üüü û ó òö ðüþ

DeZiZgu k jmqguf mijZ\evgb_f
gZs_gu iZjZee_evgh \jZsZxsfbf
kl\hjdZfb k ijb\h^hf q_j_a am
i_j^Zqm b gZkljZb\Z_fuf nbdkb
\Zgguf iheh`_gb_f
FbgbfZevgZy l_fi_jZlmjZ kf_rZ
]h \ha^moZ \ j`bf_h[h]j_Z
FZdkbfZevgZy l_fi_jZlmjZ kf_rZ
gh]h \ha^moZ \ j`bf_hoeZ`^_gby
f&
ihhehggu_ ^bnnmahju klm-
i_gqZlu_beb fhglbjm_fu_ aZ-
ih^ebph
jexfbgb_\u_j_r_ldb rbjhdZy p_g
jZevgZy j_r_ldZ baheb]h\ZggZy
Z]j_ZI ^bnnmahjZ k neZgpZfb ih^\
Z]j_ZI dhevz \gmlj_ggbc i_j_oh^g
^ey \ujZ\gb\Zgby ihlhdZ \ha^moZ
\gmlj_gggy baheypby ^ey ij_ahl
Zs_gby j_pbjdmeyppy ih^oh^bl
ih^kguf ihlhedZf ba 7 h[jZagh]h
ihnbey b d]bikh\uf ihlhedZf
L_j_oh^gdbb ^ey ijbkh^bg_
gby j_bihqgh]h b j_pbjdmeypp-
hggh]h \ha^moh\h^h\
Bkihevamxlky khlf_klgh k ^bnnma
jZfb mklZgZ\eb\Zxlky \gmljb fhg
IZ`ghc jZfu Ba]hlh\e_gu ba hpbg
Z]j_ZI h^h[j_gu GZpbhgZevg
Z]j_ZI Zggghc klZeb hkgZs_gu neZgp
^ey ih^kh^bg_gby \ha^moh\h^h\
^bnnmahjZf iheghklvx baheb]h\Zg

úüû îôû ó þîú

HkgZs_gu ^_j_lyggghc fhgIZ`ghc
j_cdhc khhl\lkl\mxl jZaf_jZf
Z]j_ZI h^h[j_gu GZpbhgZevg
ZkkhpbZpb_c djh\evsbdh\ KR:
klZ\eyxlky \ jZah[jZggghf \b^

lh^kh ^bg_gb \ha^moh\h^h\
kgbam

Dhf[bgbjh\Zggu_ fhgIZ`gu_
jZfu
FhgIZ`gZy jZfZ fh`_l [ulv kh[jZgZ
k bkihevah\Zgb_f aZ`bfguo we_f_g
lh\ k ihfsvx dhlhjuo kh^bgbyxlky
m]hedb Bgkljmf_glu g_ lj_[mxlky
FhgIZ`gZy jZfZ fh`_l [ulv lZd
`_ kh[jZgZ k ihfsvx dj_i`_guo
we_f_glh\ \oh^ysbo \ dhfie_dl ih
klZ\db
lhklZ\eyxlky jZfu \ukhlhc
b ff
Kf lZ[ebpm ^hihegbl_evguo ijbGZ^
e`_ghkl_c

òüýüüûö óù û ó ýþöûîòùóôûü ö

Dhfihg_gl

Fh^_ev DZIZeh`gucLbihjZaf_j
ghf_j Zjj_]ZIZ

úîþøöþüðøî´&(µ

:]j_]ZI k fZjdbjh\dhc ©&(ª

MklZgZ\eb\Z_IHy H
gZ aZ\h^

ñîöüð ÷ ðüðò üûîñþóðî óù

<kIZ\db ^ey aZ[hjZ \ha^moZ ^ey]hj_gby aZdZ`bl_ dhf & (;71)) / ; ;
ie_dIZ

L_iehijhba\h^bl_evghklv]Zah\jh gZ]j_]ZI_ey KIZg^ZjlgZy ± MklZgZ\eb\Z_IHy H
gZ aZ\h^

Kj_^gyy ± MklZgZ\eb\Z_IHy H
gZ aZ\h^

<ukhdZy ± MklZgZ\eb\Z_Iky
gZ aZ\h^

Gbadhl_fi_jZlmjguc we_dljhgZ]j_]ZI_ev ^ey _klb\æxe_pZau ± & /79+ & *: 2; 2;

Dhfi_e_dl ^ey bkihevah\Zgby k`b`_ggh]h g_rklygg^]j]gZ ijhba\h^bl_evghklv ; ;
ijhiZgZ aZdZ`bl_ dhfie_dIZ /7\$/3*.

Kj_^gyy ijhba\h^bl_evghklv0 ; ;
/7\$/3*.

<ukhdZy ijhba\h^bl_evghklv0 ; ;
/7\$/3*.

L_iehh[f_ggbd ba g_j`Z_xs_c klZeb MklZgZ\eb\Z_IHy H
gZ aZ\h^

Dhfi_e_dl ^ey m^ebg_gby \ha^moh\h^Z _j]bdZevghf gZ & (;71 : ; ;
ijZ\e_gbb

øüû þ ü ù îðòóôö

Kbnhg \ kbkl_f_ hl\h^Z dhg^_gkZIZ Iheb\bgbeohjb^ l<O ±0 2; 2;
& 75\$3 \$'

F_^v ± & 75\$3 \$' : 2; 2;

AZsbIZ hl dhjjhabb MklZgZ\eb\Z_IHy H
gZ aZ\h^

J_e_mjh\gy \h^u \ ih^^hg_ ^ey hl\h^Z dhg^_gkZIZ (6165 \$' : 2; 2;
Wnn_dlb\ghklv <ukhdZy MklZgZ\eb\Z_IHy H
gZ aZ\h^

OeZ^Z]_gl 5 \$ MklZgZ\eb\Z_IHy H
gZ aZ\h^

IeZklbdh\uc ih^^hg ^ey k[hjZ dhg^_gkZIZ MklZgZ\eb\Z_IHy H
gZ aZ\h^

Ih^^hg ^ey k[hjZ dhg^_gkZIZ ba g_j`Z_xs_c klZeb & '3\$1 ' : 2; 2;

Kbnhg \ kbkl_f_ hl\h^Z dhg^_gkZIZ Iheb\bgbeohjb^ l<O ±0 2; 2;
& 75\$3 \$'

F_^v ± & 75\$3 \$' : 2; 2;

AZsbIZ hl dhjjhabb MklZgZ\eb\Z_IHy H
gZ aZ\h^

J_e_mjh\gy \h^u \ ih^^hg_ ^ey hl\h^Z dhg^_gkZIZ (6165 \$' : 2; 2;
Wnn_dlb\ghklv <ukhdZy MklZgZ\eb\Z_IHy H
gZ aZ\h^

OeZ^Z]_gl 5 \$ MklZgZ\eb\Z_IHy H
gZ aZ\h^

IeZklbdh\uc ih^^hg ^ey k[hjZ dhg^_gkZIZ MklZgZ\eb\Z_IHy H
gZ aZ\h^

Ih^^hg ^ey k[hjZ dhg^_gkZIZ ba g_j`Z_xs_c klZeb & '3\$1 ' : 2; 2;

ýþö ü û ÷ ðóú òù üþ

We_dljh^b]ZI_eb K j_f_gguf ijb\h^hf ± MklZgZ\eb\Z_IHy 2
gZ aZ\h^

K j_f_gguf ijb\h^hf ± MklZgZ\eb\Z_IHy 2
gZ aZ\h^

K j_f_gguf ijb\h^hf ± MklZgZ\eb\Z_IHy 2
gZ aZ\h^

Dhfi_e_dlu ijb\h^Z Dhfi_e_dl < h[MklZgZ\eb\Z_IHy 2
gZ aZ\h^

IJBF?Q:GB? DZIZeh`guc ghf_j b ghf_j fh^_eb ijb_^_gu ^ey aZdZaZ ijbGZ^e`ghkl_c mklZgZ\eb\Z_fuo gZ f_ 2; ± MklZgZ\eb\Z_Iky gZ aZ\h^_ ba]hl\bl_e_ dhgnb]mjZpby \u[bjZ_Iky ijb aZdZa_ beb gZ f_kl_ wdkiemZIZp 2 MklZgZ\eb\Z_Iky gZ aZ\h^_ ba]hl\bl_e_ dhgnb]mjZpby \u[bjZ_Iky ijb aZdZa_

Fhgh[ehqguc p_gljZevguc dhg^bpbhg_j k]Zah\uf \ha^mohgZ]j_]Zi ba\h^bl_evghklv hl ^h d<l =p Klj

òüýùûö óú û ó ýþîîòòóôûÿ ö

Dhfhg_gl

Fh^_ev DZIZeh`gucLbihjZaf_j
ghf_j Z]j_]ZIZ

MdZaZgby ih ijbfg_gbx b ih^[hjm ijb_^_gu \ DZ]f[eb pdl <	h[MkIzgZ\eb\Z_Iky	2
l_ogbq_kdbo oZjZdl_jbklbd _glbeylhjZ	gZ aZ\h^	
Dhfi_e_dl <	h[MkIzgZ\eb\Z_Iky	2
Dhfi_e_dl <	h[MkIzgZ\eb\Z_Iky	2
Dhfi_e_dl <	h[MkIzgZ\eb\Z_Iky	2
Dhfi_e_dl <	h[MkIzgZ\eb\Z_Iky	2
Dhfi_e_dl <	h[MkIzgZ\eb\Z_Iky	2
Dhfi_e_dl <	h[MkIzgZ\eb\Z_Iky	2
Dhfi_e_dl <	h[MkIzgZ\eb\Z_Iky	2
: \hfZlbg_kdh_ j_]mebjmkZgZ\eb\Z_Iky	gZly`_gb_ ijb\h^gh]h j_fggyZ_gZ\h^	2

øüþý ÿ

AZsblgu_ j_r_ldb l_ieh[hfgbdh\	& *\$5'	:	:
AZsblgu_ j_r_ldb	& *\$5' '	.	:
We_f_glu aZsblu hl]jZ^Z	& *\$5'	:	:
Dhfi_e_dl iZg_e_c ^ey ih^kh_^bg_gby \ha^moh\h^h\ k[hdm	.	.	:

ÿöÿ óú ýþîîòòóôûö

J_e_ ijbhgh]h _glbeylhjZ	& 6165))	:	2;	2;
Kbkl_fZ mijZ\e_gby 3URGLJ\Š: Fh	^mev %\$&QHS & &75/ \$(/	2;	2;	
Kbkl_fZ mijZ\e_gby 3URGLJ\Š: Fh	^mev /RQ7DONS & &75/))	2;	2;	
Dhgljhee_j Z]j_]ZIZ 1RYDUŠ {70	(&75/ &	2;	2;	
1RYDUŠ MklZgZ\eb\Z_Iky	gZ aZ\h^			H

>Zlqbd aZ]jyag_gby nbevljZ (6165 & : 2; 2;

>Zlqbd l_fi_jZlmju ijbhgh]h \ha^moZ MklZgZ\eb\Z_Iky gZ aZ\h^ H

L_fi_jZlmjZ gZjm`gh]h \ha^moZ & 6165 \$' : 2; 2;

>Zlqbd ^ufZ ± <ha^moh\h^ ijbhgh]h beb j_pbjdmeypbhg&h6165 & : 2; 2;

Jh \ha^moZ ieZIZ iblZgby b h^bg ^Zlqbd & 6165 & : 2; 2;

>Zlqbd ^ufZ ± <ha^moh\h^ ijbhgh]h b j_pbjdmeypbhgg& 6165 & : 2; 2;

Jh \ha^moZ ieZIZ iblZgby b ^Z ^ZlqbdZ

J_e_ ij_^_evgh]h ^Z\e_gby ijbhgh]h \ha^moZ & 6165 \$(0 ; ;

J_e_ ij_^_evgh]h ^Z\e_gby ijbhgh]h \ha^moZ ± Dhfi_e_d& 6165 \$(0 ; ;

^ey fhgblhjb]Z

>Zlqbd ^Z\e_gby ijbhgh]h \ha^moZ & 6165 \$(0 ; ;

ø î ó ÿ ð ü ö ð î ð ý ü ó ó ú ö

<ha^mrgu_ nbevlju

<ukhdhwnn_dlb\gu_ \ha^mrgu_ nbevlju +HDOWK\ & O(59 W&H)/75 ' : 2; 2;

[[ff dhfi_e_dl ba rl ^ey h^gh]h Z]j_]ZIZ(59 &)/75 ' : 2; 2;

Nbevlj kh kt_fguf nbevljmxsbf fZl_jbZehf k f_lZeebq_ &)/75 ' 1 ; ;

kdhc k_ldhc \dexqZy nbevljmxsbc fZl_jbZe g_yq_cdh\uc [[ff dhfi_e_dl ba rl ^ey h^gh]h Z]j_]ZIZ

>Zlqbdb dZq_kl\Z \gmlj_gg_]h \ha^moZ dhgp_gljZpbb &2

>Zlqbd ± >ey gZkl_ggh]h fhglZ`Z [_eZy ieZklbdh\Zy dj&r 6165 \$(/ 1 ; ;

dZ k @D ^bkie__f

>Zlqbd ± >ey gZkl_ggh]h fhglZ`Z [_eZy ieZklbdh\Zy dj&r 6165 \$(/ 1 ; ;

dZ [_a @D ^bkie_y

>Zlqbd ± Q_jguc ieZklbdh\uc dhjimk k @D ^bkie__f ^ey& 6165 \$(/ 1 ; ;

mklZgh\db \ie_gmf

IJB?Q:GB? DZIZeh`guc ghf_j b ghf_j fh^_eb ijb_^_gu ^ey aZdZaZ ijbGZ^e`ghkl_c mklZgZ\eb\Z_fuo gZ f_

2; ± MklZgZ\eb\Z_lky gZ aZ\h^_ba]h\bl_e_ dhgnb]mjZpby \u[bjZ_lky ijb aZdZa_ beb gZ f_kl_ wdkiemZIZp

2 MklZgZ\eb\Z_lky gZ aZ\h^_ba]h\bl_e_ dhgnb]mjZpby \u[bjZ_lky ijb aZdZa_

Fhgh]ehgguc p_gljZevguc dhg^bpbhg_j k]Zah\uf \ha^mohgZ]p_\Z]hba\h^QIHUjHCKF H hl ^h d<l =p Kl

òüýüùûö óù û ó ýþöûîòùóôûÿ ö

Dhfihg_gl	Fh^_ev DZIZeh`gucLbihjZaf_j ghf_j Z]j_]ZIZ		
>Zlqbd ± >ey gZkl_gghjh fhglZ`Z q_jguc ieZklbdh\uc dh& 0,6& \$(imk [_a @D ^bkie_y ^ey mklZgh\db \ie_gmf	1	;	;
Dhfi_e_dl ^ey fhglZ`Z ^ZlqbdZ dhgp_lj^Zpbb & 2 \h^_ ± >ey Z]j_]Zlh\ k ih^kh^bg_gb_f \ha^moh\h^h\ kgbam	& 0,6& \$(/	;	;
<ha^mrgZy dZf_jZ ± >ey fhglZ`Z \ \ha^moh\h^_ ^Zlqbdh\ & 0,6& \$(dhgp_gljZpbb & 2 ij^gZagZq_gguo ^ey ie_gmfZ 1 beb 1	1	;	;
Dhfi_e_dl mevljZnbhe_lh\uo [Zdl_jbpb^guo eZfi			
Dhfi_e_dl MN eZfi +HDOWK\ &OLPDWHŠ < nZaZ	MklZgZ\eb\Z_lky gZ aZ\h^_	2	
ùóø þö óÿøó öüúÿüûöù			
K_lv iblZgby =p k gme_\uf ijh\h^gbdhf \ fh^_eyo k fZjdbjh\dhc ^3&(' gme_hc ijh\h^gbd hlkmlkl\m_l	< nZMklZgZ\eb\Z_lky gZ aZ\h^_	2	
iblZgb_ eZfiu hkms_kl\ey_lky hl h^ghnZaghc k_lb gZijy`_gb_f hl k_lb < lh \ p_iv iblZgby mklZgZ\eb\Z_lky ihgb`Zxsbc ljZgknhjZlhj	< ?keb iblZgb_ djurguo dhg^		
ÿúóÿö óù ûî øîúóþî øüüúúî÷öóþ			
KlZg^Zjlguc wdghgfZca_j			
KlZg^Zjlguc wdghgfZca_j :]j_]Zlu k ih^kh^bg_gb_f \ha^moh\h^h\ kgbam beb k[hdm ± < dhfi_e_dl ihklZ\db \oh^bl dhauj_d ^ey aZsblu hl Zl fhkn_jguo \ha^_ckl\bc lj^_hojZgbl_evgu_ deZiZgu ^ey mklZgh\db \ _j]bdZevguo beb]hjbahglZevguo \ha^moh\h^Zo aZdZau\Zxlky hl^_evgh	((&21 ' : 8	2;	R[
<ukhdhwnn_dlb\guc wdghgfZca_j			
<ukhdhwnn_dlb\guc wdghgfZca_j :]j_]Zlu k ih^kh^bg_gb_f \ha^moh\h^h\ kgbam beb k[hdm ± < dhfi_e_dl ihklZ\db \oh^bl dhauj_d ^ey aZsblu hl Zl fhkn_jguo \ha^_ckl\bc lj^_hojZgbl_evgu_ deZiZgu ^ey mklZgh\db \ _j]bdZevguo beb]hjbahglZevguo \ha^moh\h^Zo aZdZau\Zxlky hl^_evgh	((&21 ' 8 : 8	2;	R[
Mkljhckl\Z mijZ\e_gby wdghgfZca_jhf			
Mkljhckl\h mijZ\e_gby ih jZaghkIb wglZevibc dhfi_e_dIZ & 6165)) : MijZ\e_gb_ ih l_fi_jZlmj_ >Zlqbd \oh^bl \ dhfi_e_dIMklZgZ\eb\Z_lky gZ aZ\h^_	2;	R[
Mkljhckl\h mijZ\e_gby ih wglZevibb & 6165)) : H[s_ _ mijZ\e_gb_ mijZ\e_gb_ ih wglZevibb >Zlqbd ihklZ\ey_lky aZMklZgZ\eb\Z_lky gZ aZ\h^_	2;	2;	
MijZ\e_gb_ ih jZaghkIb l_fi_jZlmj_ >Zlqbd \oh^bl \ dhfi_e_dIMklZgZ\eb\Z_lky gZ aZ\h^_	2		
lj^_hojZgbl_evgu_ deZiZgu			
lj^_hojZgbl_evgu_ deZiZgu ^ey _j]bdZevguo \ha^moh\h ('\$03 ' : ^h\ dhaujvdb \oh^yl \ dhfi_e_dl ihklZ\db	:	2;	2;
lj^_hojZgbl_evgu_ deZiZgu ^ey]hjbahglZevguo \ha^moh\h\$*('+ ^h\ dhaujvdb \oh^yl \ dhfi_e_dl ihklZ\db	.	2;	2;
ûîþ ôû ÷ öüöò			
DeZiZgu gZjm`ghjh \ha^moZ k dhaujvdZfb gZ^ \ha^moh\uimkdgufb hl_jklbyfb			
K we_dljhijb\h^hf ('\$03 ' : K jmqguf ijb\h^hf ('\$02 ' : ð ôûü÷ öóû öù üþ	:	2;	2;
Kh klZg^Zjlguf klZlq_kdbf ^Z\e_gb_f 9 (3:5(' 0 : úüü îôû ó þíú	:	2;	2;
Dhf[bgbjh\Zggu_ fhglZ`gu_ jZfu ih^kh^bg_gb_ \ha^moh\h^h\ kgbam			
<ukhlZ ff & &85% ') : <ukhlZ ff & &85% ') : <ukhlZ ff & &85% ') : KlZg^ZjlgZy fhglZ`gZy jZfZ k ih^kh^bg_gb_f \ha^moh\h^h\ k[hdm ± G_h[oh^bfh mklZgh\blv khhl gbl_evguoc dhfi_e_dl iZg_e_c	;		
<ukhlZ ff ± ^ey fhglZ`Z gZ iebl_ i_j_djulby /\$50)+ . : <ukhlZ ff ± ^ey fhglZ`Z gZ djur_ /\$50)+ . : IJB?Q:GB? DZIZeh`guc ghf_j b ghf_j fh^_eb ijb\^_gu ^ey aZdZaZ ijbZgZe`ghkl_c mklZgZ\eb\Z_fuo gZ f_	;		

IJB?Q:GB? DZIZeh`guc ghf_j b ghf_j fh^_eb ijb\^_gu ^ey aZdZaZ ijbZgZe`ghkl_c mklZgZ\eb\Z_fuo gZ f_ 2; ± MklZgZ\eb\Z_lky gZ aZ\h^_ ba]h\h\bl_e_ dhgnb]mjZpby \u[bjZ_lky ijb aZdZa_ beb gZ f_kl_ wdkiemZIZp 2 MklZgZ\eb\Z_lky gZ aZ\h^_ ba]h\h\bl_e_ dhgnb]mjZpby \u[bjZ_lky ijb aZdZa_

Fhgh[ehqguc p_gljZevguc dhg^bpbhg_j k]Zah\uf \ha^mohgZ]p_ Z]hba\h^QIHUJHCKWH hl ^h d<l =p Klj

òüýüüûö óù û ó ýþöûîòùóôûÿ ö

Dhfihg_gl

Fh^_ev DZIZeh`gucLbihjZaf_j
ghf_j Z]j_]ZIZ

Dhfi_e_dl iZg_e_c ^ey ih^kh_^bg_gby \ha^moh\h^h\ k[hdm_g_h[oh^bf	.	;	;
Dhfi_e_dl baheypbb klZg^Z]lghc fhglZ`ghc jZfu ^ey Z]j_]Z]h\ k ih^kh_^bg_gb_f \ha^moh\h^h\ k[hdm_g_h[oh^bf	.	;	;
>ey /\$50)+	.	;	;
>ey /\$50)+	.	;	;

ýü üüü û ó òö õüþ

<uklmiZxsbc ± Dhfi_e_dl rl	/\$57'	.	;	;
Fhglbjm_fuc aZih^ebph k ih^_kguf ihlhedhf ± Dhfi_e_dl rl	/)\$)'	.	;	;
I_j_oh^gbd ^ey ijb]hqgh]h b j_pbjdmeyppbhggh]h \ha^moh\h\$657 ^h\ ± Dhfi_e_dl rl	.	;	;	

IJBF?Q:GB? DZIZeh`guc ghf_j b ghf_j fh^_eb ijb_^_gu ^ey aZdZaZ ijbGZ^e`ghkl_c mkIZgZ\eb\Z_fuo gZ f_2; ± MkIZgZ\eb\Z_lky gZ aZ\h^_ba]hlh\bl_e_ dhgnb]mjZpby \u[bjZ_lky ijb aZdZa_ beb gZ f_kl_ wdkiemZIZp2 MkIZgZ\eb\Z_lky gZ aZ\h^_ba]hlh\bl_e_ dhgnb]mjZpby \u[bjZ_lky ijb aZdZa_

ó û ö óÿøöö íþíø óþöÿ öøö

H[<u>sb_ oZjZd- l_jbklbdb</u>	Ghf ijhba\h^bl_evghklv d<l lhgg h	hoeZ`^_gby		
	Fh^_ev	/*+ + %		/*+ + %
	Wnn_dlb\ghklv	<ukhdZy		<ukhdZy
	Lbi _glbeylhjZ	kjZkoh^ \ha^moZ	Zhk&\$PZkoh^ \ha^moZ	&\$
JZ[hqb_ oZ- jZdl_jbklbdb	Oheh^hijhba\h^bl_evghklv [jmlh d<l ;L? q			
kbkl_fu ho- eZ`^_gby	Ghf jZkoh^ \ha^moZ ih klZg^Zjlm \$og, e k nml			
	KmffZjgZy ihlj_[ey_fZy fhsghklv d<l			
	((5 ;L? q <l			
	,((5 ;L? q <l			
	OeZ^Z]_gl 5 \$			5 \$
FZkkZ aZijZ\e_ggh]h oeZ^Z]_glZDhglmj	d] nmglh\ mgpbd]	nmglh\ mgpbc		
	dhglmj d] nmglh\ mgpbd]	nmglh\ mgpbc		
	Dhglmj d] nmglh\ mgpbd]	nmglh\ mgpbc		
	Dhglmj d] nmglh\ mgpbd]	nmglh\ mgpbc		

L_iehijhba\h^bl_evghklv jZah\h]h \ha^mohgZ]j_Zl_KyZg^ZjkgZy klmi_gb kj^gyy klmi_gb dZy klmi_gb

Lbi dhfij_kkhjZ dhe \h	KibjZevguc	KibjZevguc
GZjm`guc l_ieh- hf_ggbd	KmffZjgZy iehsZ^v njhglZevgh]h km_gby f	
	Dhebq_kl\h j^h\	
	Dhe \h j_[_j gZ ih]hgguc f_lj j_[_j gZ ^xcf	

<_glbeylhju gZjm`gh]h dhglmjZ	We_dljh^b]Zl_ev dhe \h <l e k		
	QZklhIZ \jZs_gby ^b]Zl_ey h[fbg		
	KmffZjgZy ihlj_[ey_fZy fhsghklv ^b]Zl_ey <l		
	>bZf_lj jZ[hq_]h dhe_kZ ff ^xcf		
	Dhe \h ehiZlhd jZ[hq_]h dhe_kZ		
	KmffZjguc jZkoh^ \ha^moZfbg k nml		

<gmlj_ggbc l_iehh[f_g- gbd	KmffZjgZy iehsZ^v njhglZevgh]h km_gby f		
	>bZf_lj ljm[ff ^xcf		
	Dhebq_kl\h j^h\		
	Dhe \h j_[_j gZ ih]hgguc f_lj j_[_j gZ ^xcf		
	Keb\ghc iZljm[hd dhe \h b jZkfg]hZevghc ljm[ghc j_av[hc		

We_dljh- ^b]Zl_ev _glbeylhjZ \gmlj_gg_]h dhglmjZ	GhfbgZevgZy ihlj_[ey_fZy fhsghklv we_dljh^b]Zl_eye k ± d<l e k ± d<l	FZdkbfZevgZy ihlj_[ey_fZy fhsghklv e k ± d<l e k ± d<l	Dhfi_e_dl ijb\h^Z	
			Dhfi_e_dl <	h[fbg
			Dhfi_e_dl <	h[fbg
			Dhfi_e_dl <	h[fbg
			Dhfi_e_dl <	h[fbg
			Dhfi_e_dl <	h[fbg
				d<l e k
			Dhfi_e_dl <	h[fbg
			Dhfi_e_dl <	h[fbg
				d<l e k
			Dhfi_e_dl <	h[fbg
			Dhfi_e_dl <	h[fbg

JZ[hq__ dhe_kh _glbeylhjZ	ghfbgZevguc ^bZf_lj	[rbjbgZ ff ^xcf [[[[
Nbevlju	Lbi nbevljh\	Kl_deh\hehdgh kf_gguc nbevljmxsbc fZl_jb
	Dhe \h b jZaf_ju ff ^xcf	[[[[

We_dljbq_kdb_ oZjZdl_jbklbdb < nZau 1 =p \ fh^_eyo k fZjdbj 3&(' gme_hc ijh\h^gbd hlkmkl\m_l

IJBf?Q:GB? Oheh^hijhba\h^bl_evghklv g_llh jZkkqblZgZ k mq_lhf l_ieZ hl\h^bfh]h hl we_dljh^b]Zl_ey _glbeylhjZ \h^bl_evghklv [jmlh jZkkqblZgZ [_a mq_lZ l_ieZ hl\h^bfh]h hl we_dljh^b]Zl_ey _glbeylhjZ bkiZjbl_ey BkiulZgby ijh_^_gu ijb mkeh\byo hl_qZxsbo lj_[h\Zgbyf klZg^ZjZ \$+5, l_fi_jZlmjZ gZjm`gh]h \ha^m gZ \oh^_bkiZjbl_ey fK ih kmohfm l_jfhf_ljm beb fK ih \eZ`ghfm l_jfhf_ljm jZ[hIZ k fbgbfZevguf \g_rgh ghfbgZevguf jZkoh^hf \ha^moZ ijb iblZgbb hl k_lb k ghfbgZevguf gZijy`_gb_f AgZq_gb_ ,((5 ,QWHJUDWHG (QHUIJ\ (l;FLHQF\ 5DWLR ± kmffZjgZy wg_j)_lbq_kdZy wnn_dlb\ghklv jZkkq \$+5, ijb ghfbgZevghf jZkoh^ \ha^moZ b iblZgbb hl k_lb k ghfbgZevguf gZijy`_gb_f AZ^Zl kmffZjguc jZkoh^ \ha^moZ b lj_[m_fh_ klZlBq_kdh ^Z\ve_gb_ \ kbkl_f` fh`gh hij^_ebvl ih lZ[ebp_ jZ kdjhjklv b ihlj_[ey_fmz fhsghklv we_dljh^b]Zl_ey lhdZaZgZ fZdkbfZevgZy ^himklbfZy ihlj_[ey_fZy fhsghklv fZevgZy ihlj_[ey_fZy fhsghklv we_dljh^b]Zl_ey mdZaZgZ \ lZ[ebp_ l_ogbq_kdbo oZjZdl_jbklbdb j_f_ggh]h ijb ^b]Zl_ey ijb[ebabl_evgh k h^bgZdh\hc ihlj_[ey_fhc fhsghklv lh ke^abl_ qlh[u mkeh\by wdkiemZlZpbb kh ghuf gZ aZ\h^kdhc lZ[ebqd_ we_dljh^b]Zl_ey

ó û ö ó ý ø ö ó î þ ð ó þ ö ý ö ø ö ² ñ î õ ü ð ÷ ð ü õ ò ü û î ñ þ ó ð î ó ù

OZjZdl_jbk lbdZ	Fh^_ev	/*+ /*+	
L_iehijhba\h^bl_ev	ghklmZg^ZjlgZy 6	Kj_^gyy F	<ukhdZy +
Dhe \h klmj_g_c ijhba\h^bl_ev	ghklb		
JZ[hqb_ oZ\hlj_ey_fZy l_j\Zy klmi_gv jZdl_jbklbdhsgghklv d<l]Zah\h]h gZ;L? q	<lhjZy klmi_gv		
lj_\Zl_ey L_iehijhba l_j\Zy klmi_gv \h^bl_evghktv d<l ;L? q	<lhjZy klmi_gv		
>bZiZahg ih\ur_gby l_fi_jZlmju f& f) L_ieh\hc DI>			
ljbkh_^bgbl_evgu_ iZljm[db ebgb	KhgZjZjZjZjZc,ljm[ghc	ghjZevghc,ljm[ghc	ghjZevghc,ljm[ghc
J_dhf_g^m_fh_ ^Z\e_gb_ ?ZaZkl\ _ggh_ gZ \oh^_ dIZ ^xcf \h^ kl K`b`_gguc g_nlyghc]Za ijhiZg			

ð ù ö û ö ó ð ý ü û î ð þ ü ð ú ó ú ü þ

:]j_\Zl fh`_l wdkiemZljbh\Zlvky gZ \ukhl_ ^h f nmlh\ gZ^ mjh\g_f fhjy [_a dZdbo eb[h fh^ mjh\g_f fhjy [he__ f nmlh\ ijhba\h^bl_evghklv Z]j_\ZlZ kgb`Z_lky \ khhl_lkl\bb k iZ^_gb]Zah\hc]hj_edb kf lZ[ebpm gb`_			
GZqbgZy k \ukhlu f nmlh\ gZ^ mjh\g_f fhjy ijhba\h^bl_evghklv Z]j_\ZlZ mf_gvrZ_lky gZ nmlh\ \ukhlu lJBF?Q:GB? Wlh fZdkbfZevgh_ ^himklbfh_ kgb`_gb_ ijhba\h^bl_evghklb ^ey ^Zgg			
ljhba\h- <ukhlZ gZ^ >Z\e_gb_]ZaZ \ dhee_dlhj_ dlZ lhj_ey_fZy fhsgghklv ^bl_evghklv mjh\g_f fhjy f ^xcf \h^ kl ijbh^guc]Za beb k`b`_gguc g_nlyghc]Zah\h]h gZ]j_- nmlu]Za ijhiZg ;L? q \Zl_ey ljbh^guc]Za K`b`_gguc g_nly- l_j\Zy klmi_gv <lhjZy klmi_gv ghc]Za ijhiZg			
KlZg^ZjlgZy 6			
Kj_^gyy F			
<ukhdZy +			

ûúüöûîù û ó îþîø óþöÿ öøö

IJB?Q:GB? L_fi_jZlmjZ b ijhba\h^abl_evghklb g_mdZaZggu_ \ ^Zgguo lZ[ebpZo ijb_^_gu \ ^hdmf_gl_ ©LZ oheh^bevghjh Zjj_ZlZ l hijZ\hqgu_ dhwnnbpb_glu^ \ jZa^_e_ ©ljhqb_l_ogbq_kdb_ ^Zggu_^

d<l ± /*+ + Zy klmi_gv

L_fi_jZlmjZ \ha^moZ gZ \oh^_ gZjm`gh]h l_ieh[hf_ggbdZ		L_fi_jZlmjZ gZjm`gh]h \ha^moZ gZ \oh^_ gZjm`gh]h l_ieh[hf_ggbdZ													
		f&			f&			f&			f&				
		Kmf fZj- gZy oheh^h ijhba\h^abl_evghklv	lhj- [ey_fZy fhs-ghklv dhf ij-k-khjZ	Hlghr_gb_y\ ijhba\h^abl_evghklb d kmffZjghgZy oheh^h ijhba\h^abl_evghklv L_fi ih kmohfm^ab l_evghklv	Kmf fZj- gZy oheh^h ijhba\h^abl_evghklv	lhj- [ey_fZy fhs-ghklv dhf ij-k-khjZ	Hlghr_gb_y\ ijhba\h^abl_evghklb d kmffZjghgZy oheh^h ijhba\h^abl_evghklv L_fi ih kmohfm^ab l_evghklv	Kmf fZj- gZy oheh^h ijhba\h^abl_evghklv	lhj- [ey_fZy fhs-ghklv dhf ij-k-khjZ	Hlghr_gb_y\ ijhba\h^abl_evghklb d kmffZjghgZy oheh^h ijhba\h^abl_evghklv L_fi ih kmohfm^ab l_evghklv	Kmf fZj- gZy oheh^h ijhba\h^abl_evghklv	lhj- [ey_fZy fhs-ghklv dhf ij-k-khjZ	Hlghr_gb_y\ ijhba\h^abl_evghklb d kmffZjghgZy oheh^h ijhba\h^abl_evghklv L_fi ih kmohfm^ab l_evghklv		
8V	d<l	d<l	f& f& f&	d<l	d<l	f& f& f&	d<l	d<l	f& f& f&	d<l	d<l	f& f& f&	d<l	d<l	f& f& f&
f&															
f&															
f&															

d<l ± /*+ + Y KLMI?GV

L_fi_jZlmjZ \ha^moZ gZ \oh^_ gZjm`gh]h l_ieh[hf_ggbdZ		L_fi_jZlmjZ gZjm`gh]h \ha^moZ gZ \oh^_ gZjm`gh]h l_ieh[hf_ggbdZ													
		f&			f&			f&			f&				
		Kmf fZj- gZy oheh^h ijhba\h^abl_evghklv	lhj- [ey_fZy fhs-ghklv dhf ij-k-khjZ	Hlghr_gb_y\ ijhba\h^abl_evghklb d kmffZjghgZy oheh^h ijhba\h^abl_evghklv L_fi ih kmohfm^ab l_evghklv	Kmf fZj- gZy oheh^h ijhba\h^abl_evghklv	lhj- [ey_fZy fhs-ghklv dhf ij-k-khjZ	Hlghr_gb_y\ ijhba\h^abl_evghklb d kmffZjghgZy oheh^h ijhba\h^abl_evghklv L_fi ih kmohfm^ab l_evghklv	Kmf fZj- gZy oheh^h ijhba\h^abl_evghklv	lhj- [ey_fZy fhs-ghklv dhf ij-k-khjZ	Hlghr_gb_y\ ijhba\h^abl_evghklb d kmffZjghgZy oheh^h ijhba\h^abl_evghklv L_fi ih kmohfm^ab l_evghklv	Kmf fZj- gZy oheh^h ijhba\h^abl_evghklv	lhj- [ey_fZy fhs-ghklv dhf ij-k-khjZ	Hlghr_gb_y\ ijhba\h^abl_evghklb d kmffZjghgZy oheh^h ijhba\h^abl_evghklv L_fi ih kmohfm^ab l_evghklv		
8V	d<l	d<l	f& f& f&	d<l	d<l	f& f& f&	d<l	d<l	f& f& f&	d<l	d<l	f& f& f&	d<l	d<l	f& f& f&
f&															
f&															
f&															

L_fi_jZlmjZ \ha^moZ gZ \oh^_ gZjm`gh]h l_ieh[hf_ggbdZ		L_fi_jZlmjZ gZjm`gh]h \ha^moZ gZ \oh^_ gZjm`gh]h l_ieh[hf_ggbdZ													
		f&			f&			f&			f&				
		Kmf fZj- gZy oheh^h ijhba\h^abl_evghklv	lhj- [ey_fZy fhs-ghklv dhf ij-k-khjZ	Hlghr_gb_y\ ijhba\h^abl_evghklb d kmffZjghgZy oheh^h ijhba\h^abl_evghklv L_fi ih kmohfm^ab l_evghklv	Kmf fZj- gZy oheh^h ijhba\h^abl_evghklv	lhj- [ey_fZy fhs-ghklv dhf ij-k-khjZ	Hlghr_gb_y\ ijhba\h^abl_evghklb d kmffZjghgZy oheh^h ijhba\h^abl_evghklv L_fi ih kmohfm^ab l_evghklv	Kmf fZj- gZy oheh^h ijhba\h^abl_evghklv	lhj- [ey_fZy fhs-ghklv dhf ij-k-khjZ	Hlghr_gb_y\ ijhba\h^abl_evghklb d kmffZjghgZy oheh^h ijhba\h^abl_evghklv L_fi ih kmohfm^ab l_evghklv	Kmf fZj- gZy oheh^h ijhba\h^abl_evghklv	lhj- [ey_fZy fhs-ghklv dhf ij-k-khjZ	Hlghr_gb_y\ ijhba\h^abl_evghklb d kmffZjghgZy oheh^h ijhba\h^abl_evghklv L_fi ih kmohfm^ab l_evghklv		
e k	d<l	d<l	f& f& f&	d<l	d<l	f& f& f&	d<l	d<l	f& f& f&	d<l	d<l	f& f& f&	d<l	d<l	f& f& f&
f&															
f&															
f&															

ûüüöûîù û ó îþîø óþöÿ öøö

IJBF?Q:GB? L_fi_jZlmju b ijhba\h^bl_evghklb g_mdZaZggu_ \ ^Zgguo lZ[ebpZo ijb\^_gu \ ^hg guo oZjZdl_jbklbd oheh^bevgh]h Zjj_ZlZ l_hijZ\hqqgu_ dhwnnbpb_glu^ \ jZa^_e_ @ljhqb_ l_ogbq_

d<l ± /*+ + Y KLMI?GV

		L_fi_jZlmjZ gZjm`gh]h \ha^moZ gZ \oh^_ gZjm`gh]h l_iehh[f_ggbdZ															
		f&				f&				f&				f&			
L_fi_jZlmjZ \ha^moZ gZ \oh^_ ghfm l_jfhf_ljm	Kmf fZjguc \Zkoh^ \ha^moZ	Kmf fZjguc \Zkoh^ \ha^moZ	lhj_ fZjguc \Zkoh^ \ha^moZ	Hlghr_gb_y \ijhba\h^bl_evghklb d kmffZjguc \Zkoh^ \ha^moZ	Kmf fZjguc \Zkoh^ \ha^moZ	lhj_ fZjguc \Zkoh^ \ha^moZ	Hlghr_gb_y \ijhba\h^bl_evghklb d kmffZjguc \Zkoh^ \ha^moZ	Kmf fZjguc \Zkoh^ \ha^moZ	lhj_ fZjguc \Zkoh^ \ha^moZ	Hlghr_gb_y \ijhba\h^bl_evghklb d kmffZjguc \Zkoh^ \ha^moZ	Kmf fZjguc \Zkoh^ \ha^moZ	lhj_ fZjguc \Zkoh^ \ha^moZ	Hlghr_gb_y \ijhba\h^bl_evghklb d kmffZjguc \Zkoh^ \ha^moZ	ghc			
	8V	d<l	d<l	f& f& f& d<l	d<l	f& f& f& d<l	d<l	f& f& f& d<l	d<l	f& f& f& d<l	d<l	f& f& f& d<l	d<l	f& f& f&			
f&																	
f&																	
f&																	

d<l ± /*+ + Y KLMI?GV

		L_fi_jZlmjZ gZjm`gh]h \ha^moZ gZ \oh^_ gZjm`gh]h l_iehh[f_ggbdZ															
		f&				f&				f&				f&			
L_fi_jZlmjZ \ha^moZ gZ \oh^_ ghfm l_jfhf_ljm	Kmf fZjguc \Zkoh^ \ha^moZ	Kmf fZjguc \Zkoh^ \ha^moZ	lhj_ fZjguc \Zkoh^ \ha^moZ	Hlghr_gb_y \ijhba\h^bl_evghklb d kmffZjguc \Zkoh^ \ha^moZ	Kmf fZjguc \Zkoh^ \ha^moZ	lhj_ fZjguc \Zkoh^ \ha^moZ	Hlghr_gb_y \ijhba\h^bl_evghklb d kmffZjguc \Zkoh^ \ha^moZ	Kmf fZjguc \Zkoh^ \ha^moZ	lhj_ fZjguc \Zkoh^ \ha^moZ	Hlghr_gb_y \ijhba\h^bl_evghklb d kmffZjguc \Zkoh^ \ha^moZ	Kmf fZjguc \Zkoh^ \ha^moZ	lhj_ fZjguc \Zkoh^ \ha^moZ	Hlghr_gb_y \ijhba\h^bl_evghklb d kmffZjguc \Zkoh^ \ha^moZ	ghc			
	8V	d<l	d<l	f& f& f& d<l	d<l	f& f& f& d<l	d<l	f& f& f& d<l	d<l	f& f& f& d<l	d<l	f& f& f& d<l	d<l	f& f& f&			
f&																	
f&																	
f&																	

		L_fi_jZlmjZ gZjm`gh]h \ha^moZ gZ \oh^_ gZjm`gh]h l_iehh[f_ggbdZ															
		f&				f&				f&				f&			
L_fi_jZlmjZ \ha^moZ gZ \oh^_ ghfm l_jfhf_ljm	Kmf fZjguc \Zkoh^ \ha^moZ	Kmf fZjguc \Zkoh^ \ha^moZ	lhj_ fZjguc \Zkoh^ \ha^moZ	Hlghr_gb_y \ijhba\h^bl_evghklb d kmffZjguc \Zkoh^ \ha^moZ	Kmf fZjguc \Zkoh^ \ha^moZ	lhj_ fZjguc \Zkoh^ \ha^moZ	Hlghr_gb_y \ijhba\h^bl_evghklb d kmffZjguc \Zkoh^ \ha^moZ	Kmf fZjguc \Zkoh^ \ha^moZ	lhj_ fZjguc \Zkoh^ \ha^moZ	Hlghr_gb_y \ijhba\h^bl_evghklb d kmffZjguc \Zkoh^ \ha^moZ	Kmf fZjguc \Zkoh^ \ha^moZ	lhj_ fZjguc \Zkoh^ \ha^moZ	Hlghr_gb_y \ijhba\h^bl_evghklb d kmffZjguc \Zkoh^ \ha^moZ	ghc			
	/ V	d<l	d<l	f& f& f& d<l	d<l	f& f& f& d<l	d<l	f& f& f& d<l	d<l	f& f& f& d<l	d<l	f& f& f& d<l	d<l	f& f& f&			
f&				?													
f&																	
f&																	

ó û ö óÿøöö îþîø óþöÿ öøö ðóú òù üþî

< L:;EBP? L?OGBQ?KDBO O:J:DL?JBKLBDB <?GLBEYLHJ: IJB<?>?GU AG:Q?GBY :WJH>BG:FBQ?K
 GBY HKGH<GH=H :=J?=:L: LHEVDH K KMOBF <GMLJ?GGBF L?IEHH;F?GGBDHF B <HA>MRGUFB
 IHEGHC KBKL?FU >H;:<EYXLKY

± :wjh^bgZfbq_kdh_ khijhlb\le_gb_ \eZ`gh]h \gmlj_gg_]h l_iehh[f_ggbdZ \u[jZggh]h Zjj_]ZIZ
 ± :wjh^bgZfbq_kdb_ khijhlb\le_gby ^hihegbl_evguo dhfihg_glh\ mklZgh\le_gguo gZ aZ\h^_ ba]
 ^mohgZjj_\ZI_ey wdhghfZca_jZ b l ^
 ± :wjh^bgZfbq_kdb_ khijhlb\le_gby ^hihegbl_evguo dhfihg_glh\ mklZgh\le_gguo gZ f_kl_wdki
 ^mohgZjj_\ZI_ey \ha^moh\h^h\ ^bnmahjZ b l ^

lh IZ[ebp_ l_ogbq_kdbo oZjZdl_jbklbd _glbeylhjZ fh`gh hij_^_eblv ihlj_[ey_fmxfhsgghklv we_dljh
 [jZlv lj_[m_fuc ijb\h^ :wjh^bgZfbq_kdh_ khijhlb\le_gb_ \eZ`gh]h l_iehh[f_ggbdZ b ^hihegbl_evguo
 gZ klj L_ogbq_kdb_ oZjZdl_jbklbdb ijb\h^Z mklZgh\le_ggh]h gZ aZ\h^_ ba]hlh\bl_e_ ijb_^_g

JZkoh^ \ha^moZ			J:KIHE:=:?FH? KL:LBQ?KDH? >:<E?GB? IZ ^xcf \h^ kl																				
e k	nml fbg	h[fbg	d<l	e	k	h[fbg	d<l	e	k	h[fbg	d<l	e	k	h[fbg	d<l	e	k	h[fbg	d<l	e	k		

IJH>HE @?GB? G: KE?>MXS?C KLJ:GB

Fhgh[ehqquc p_gljZevguc dhg^bpbhg_j k]Zah\uf \ha^mohgZ]]_Zhb\h^QIHUJHCFFH hI ^h d<l =p Klj

ó û ö óÿøöö íþíø óþöÿ öøö ðóú öù üþí

< L:;EBP? L?OGBQ?KDBO O:J:DL?JBKLB D <?GLBEYLHJ: IJB<?>?GU AG:Q?GBY :WJH>BG:FBQ?K
 GBY HKGH<GH=H :=J?=:L: LHEVDH K KMOBF <GMLJ?GGBF L?IEHH;F?GGBDHF B <HA>MRGUFB I
 IHEGHC KBKL?FU >H;:<EYXLKY

± :wjh^bgZfbq_kdh_ khijhlb\le_gb_ \eZ`gh]h \gmlj_gg_]h l_iehh[f_ggbdZ \u[jZggh]h Z]j_]ZIZ
 ± :wjh^bgZfbq_kdb_ khijhlb\le_gby ^hihegbl_evguo dhfhg_glh\ mklZgh\le_gguo gZ aZ\h^_ ba]
 ^mohgZ]j_\ZI_ey wdhghfZca_jZ b l ^
 ± :wjh^bgZfbq_kdb_ khijhlb\le_gby ^hihegbl_evguo dhfhg_glh\ mklZgh\le_gguo gZ f_kl_wdki
 ^mohgZ]j_\ZI_ey \ha^moh\h^h\ ^bnnmahjZ b l ^

Ih IZ[ebp_ l_ogbq_kdbo oZjZdl_jbklbd _glbeylhjZ fh`gh hij_^_eblv ihlj_[ey_fmxfhsghklv we_dljh
 [jZlv lj_[m_fuc ijb\h^ :wjh^bgZfbq_kdh_ khijhlb\le_gb_ \eZ`gh]h l_iehh[f_ggbdZ b ^hihegbl_evguo
 gZ klj L_ogbq_kdb_ oZjZdl_jbklbdb ijb\h^Z mklZgh\le_gggh]h gZ aZ\h^_ ba]hlh\bl_e_ ijb_^_g

JZkoh^ \ha^moZ		J:KIHE:=:?FH? KL:LBQ?KDH? >:<E?GB? IZ ^xcf \h^ kl																		
8V	nml fbg	h[fbg	d<l	e k	h[fbg	d<l	e k	h[fbg	d<l	e k	h[fbg	d<l	e k	h[fbg	d<l	e k	h[fbg	d<l	e k	
																				...
																				...
																				...
																				...
																				...
																				...
																				...
																				...
																				...
																				...

ó û ö óÿøóó îþîø óþöÿ öøö ðóû öù üþí

L?OGBQ?KDB? O:J:DL?JBKLBDB J?F?GGH=H IJB<H>: MKL:GH<E?GGH=H G: A:<H>? B

GhfbgZevgZy fhsghklv d<l	GhfbgZevgZy fhsghklv e	FZdkbfZevgZy fhsghklv d<l	FZdkbfZevgZy fhsghklv e	Ghf_j dhfie_d ijb\h^Z	ZbZiZahg kdhjklb h[fbg
				J	

IJBF?Q:GB? AZ^Z\ kmffZjguc jZkoh^ \ha^moZ b lj_[m_fh_ kIZIbq_kdh_ ^Z\e_gb_ \ kbkl_f_ fh`gh hij_^_eblv
 lj_[m_fm_x kdhjhklv b ihlj_[ey_fm_x fhsghklv we_dljh^\b]Zl_ey lhdZaZgZ fZdkbfZevgZy ^himklbfZy ihlj_[ey_fZy
 ?keb bkihevamx\ky we_dljh^\b]Zl_ey ijb[ebabl_evgh k h^bgZdh\hc ihlj_[ey_fhc fhsghklvx lh ke_^bl_ qlh[u m
 \Zeb lj_[h\Zgbyf mdZaZgguf gZ aZ\h^kdhc IZ[ebqd_ we_dljh^\b]Zl_ey

:WJH>BG:FBQ?KDH? KHIJHLB<E?GB? >HIHEGBL?EVGUO IJBG:>E?@GHKL?C MKL:GH<E?GGH=H G: A:<H>? BA=HLH<BL?E? G: F?KL? WDKIEM:L:PBB

JZkoh^ \hagmlj_ggb		<eZ`guc l_iehh[- f_ggbd		=Zah\uc \ha^mohgZ]j_ \Z KIZg^Zj- gZy fhs- ghklv		Kj_^gyy fhsghklv		<ukhdZy fhsghklv		_eKf_kb- l_evvgZy dZf_jZ wdhghfZc- a_j		Nbevliju 0(59)		0(59)		FhgI`gZy jZfZ k ih^ kh_^bg_gb_f \ha^moh\h ^h\ k[hdm	
8V	nml fbg	IZ	^xcf \h^ kl	IZ	^xcf \h^ kl	IZ	^xcf \h^ kl	IZ	^xcf \h^ kl	IZ	^xcf \h^ kl	IZ	^xcf \h^ kl	IZ	^xcf \h^ kl	IZ	^xcf \h^ kl

ó û ö óÿøöö ípîø ópöÿ öøö ðóú òù üpî

:WJH>BG:FBQ?KDH? KHIJHLB<E?GB? IHLHEHQGH=H >BNNMAHJ:

JZkoh^ \ha^moz		<uklmiZxsbc ^bnnmahj ± /\$57'				>bnnmahj mkIZgh\le_g- guc aZih^ebph ± '/\$)'			
		Hldjulu gb`gbo hl_jklby	Hldjulu [hdh\h gb`gbo hl_jklby	Hldjulu \k_ [hdh\h gb`gb_hl_jklby					
e k	nml fbg	IZ	^xcf \h^ kl	IZ	^xcf \h^ kl	IZ	^xcf \h^ kl	IZ	^xcf \h^ kl

I:J:F?LJU <HA>MRGH=H IHLHD: Q?J?A IHLHEHQGUC >BNNMAHJ

JZkoh^ \ha^moz		Wnn_dlb\gZy ^Zevgh[hcgghklv <uklmiZxsbc MklZgZ\eb\Z_fuc aZih^ebph k ih^_kguf ihlhedhf			
8V	nml fbg	f	nml	f	nml

>Zevgh[hcgghklv \ha^mrghc kljmb ± wlh jZkklhygb_ hl ^bnnmahjZ ih]hjbahglZeb beb ih _jldZeb_gZ dhlhjh
ihldZ khklZ\ey_l g_ f_g__ f fbg nml fbg Hldjulu q_luj_ [hdh\uo \ha^moh\umkdguo hl_jklby

J:;HQB? O:J:DL?JBKLBDB KL:G>:JLGH=H GBADHG:IHJGH=H <ULY@GH=H <?GLBEYLH

:wjh^bgZfbq_kdh_ khijhlbe_gb_ j_pbjdmeyppbhggh]h \ha^moh\h^Z		JZkoh^ m^Zey_fh]h \ha^moz	
IZ	^xcf \h^ kl	8V	nml fbg

Fhgh[ehgguc p_gljZevguc dhg^bpbhg_j k]Zah\uf \ha^mohgZ]]p_\Zhbba\h^QIhEujhKfH hl ^h d<l =p Kl

ùóø þö óÿøöö îþîø óþöÿ öøö

LGH300H4B

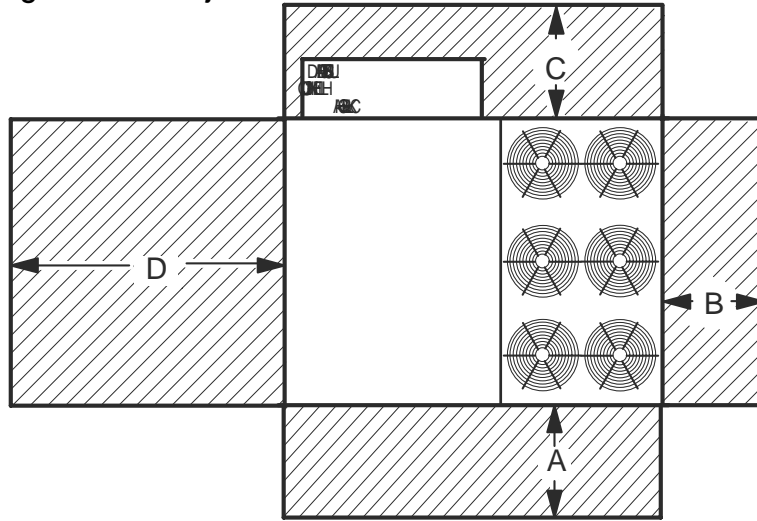
LGH360H4B

GZijy`_gb_ iblZgby	nZau 1 =p	<	<
Dhfij_kkhj	Lhd ijb ghfbgZevghc gZ]jmad_ :		
	Lhd ijb aZlhjfh`_gghf jhlhj_ :		
Dhfij_kkhj	Lhd ijb ghfbgZevghc gZ]jmad_ :		
	Lhd ijb aZlhjfh`_gghf jhlhj_ :		
Dhfij_kkhj	Lhd ijb ghfbgZevghc gZ]jmad_ :		
	Lhd ijb aZlhjfh`_gghf jhlhj_ :		
Dhfij_kkhj	Lhd ijb ghfbgZevghc gZ]jmad_ :		
	Lhd ijb aZlhjfh`_gghf jhlhj_ :		
<_glbeylhju gZjm`gh]h dhglmjZ	Lhd ijb iheghc gZ]jmad_		
	kmffZjguc :		
KlZg^Zjlg_u_ \uly`gu_ _glbeylhju d<l	Lhd ijb iheghc gZ]jmad_		
	kmffZjguc :		
<gmlj_ggbc _glbeylhj	d<l		
	Lhd ijb iheghc gZ]jmad_ :		
GhfbgZevguc lhd mkljhc- kl\Z aZsblu hl i_j_]jmadk	Lhevdh Z]j_]Zl		
:	klZg^Zjlgufb \uly`gufb _glbeylhjZfb d<l		
GhfbgZevguc lhd p_ib :	Lhevdh Z]j_]Zl		
	K klZg^Zjlgufb \uly`gufb _glbeylhjZfb d<l		

>himklbfh_ hldehg_gb_ gZijy`_gby hl ghfbgZevgh]h agZq_gby khklZ\ey_l
 :\hfZlbc_kdbc \udexqZl_ev beb ij_^hojZgbl_ev ijb_gy_fuc \ kbkl_fZo hlhie_gby b dhg^bpbhgjbh\Zgby
 Bkihevam_lky ^ey \u[hjZ iZjZf_ljh\ dZ[_e_c ij_^hojZgbl_e_c b \udexqZl_e_c \ khhl_lkl\bb k lj_[h\Zgbyfb ^
 ^hdmf_glh\
 GhfbgZevgZy fhsghklv ijb we_dljhiblZgbb < nZau =p

þíðúóp ÿðüüòûñü ýþüý þíûý ðí ðüøþ ñ îñþóñî î

:]j_]ZI k wdhghfZca_jhf



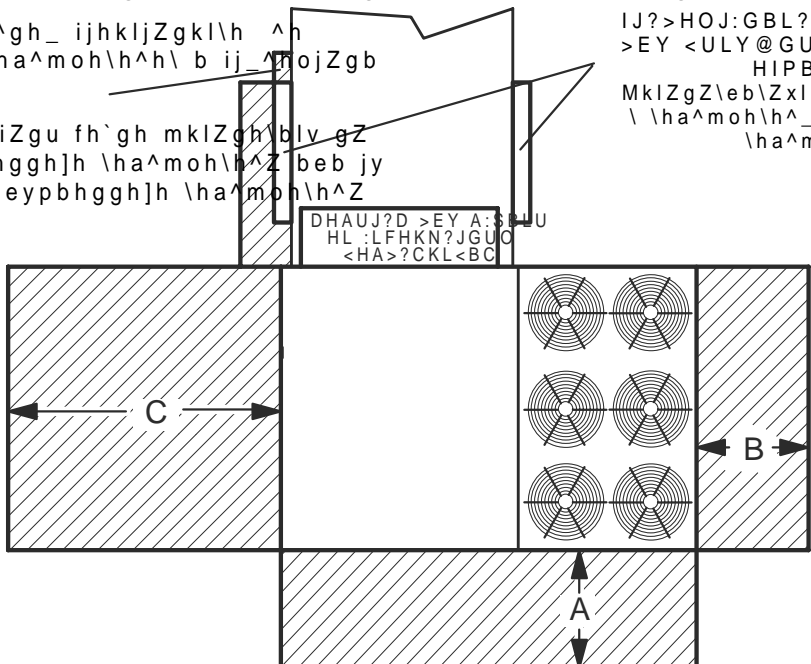
K\h[h^gh_ ijhkljZgkl\h \hdjm] Z]j_]ZIZ	:	%	&	'	K\h[h^gh_ ijhkljZgkl\h gZ^ Z]j_]Z]hf
ljhoh^u ^ey l_oh[kem`b\Zgby	ff	^xcf	ff	^xcf	
Fbg k\h[h^gh_ ijhkljZgkl\h ^ey ghjfZevghc jZ[hlu]Zah\h]h \ha^mohgZ]j_]Z]_ey					Hikmkl\b_ ij_iylkl\bc
Fbg k\h[h^gh_ ijhkljZgkl\h ^ey ghjfZevghc jZ[hlu Z]j_]ZIZ					

IJBF?Q:GB? ?keb Z]j_]ZI mklZgZ\eb\lky gZ \ha\ur_gbb lh hkgh\Zgb_ Z]j_]ZIZ ^he`gh hibjZlvky gZ nmg^Zf_gl ih \k_fm i_j
 ljhoh^u ^ey l_oh[kem`b\Zgby ± k\h[h^gh_ ijhkljZgkl\h h[_ki_qb\Zxs_ m^h[guc ^hkimi d Z]j_]Z]m ^ey fhglZ`Z ^_fhglZ`Z a
 Fbg ijhkljZgkl\h ^ey]Zah\h]h \ha^mohgZ]j_]Z]_ey ± fbgbfZevgh ^himklbfh_ k\h[h^gh_ ijhkljZgkl\h g_h[oh^bfh_ ^ey ghjfZevghc jZ
 FbgbfZevgh_ k\h[h^gh_ ijhkljZgkl\h ± fbgbfZevgh ^himklbfh_ k\h[h^gh_ ijhkljZgkl\h g_h[oh^bfh_ ^ey ghjfZevghc jZ[hlu Z]j_]

:]j_]ZI k ij_^hojZgbl_ evgufb deZiZgZfb ^ey mklZgh\db \]hjbahglZ

ljb_fqZgb_ HklZ\vl_ k\h[h^gh_ ijhkljZgkl\h ^h
 klZlhqgh_ ^ey mklZgh\db \ha^moh\h^h\ b ij_^hojZgb
 l_ evguo deZiZgh\
 ljb_fqZgb_ <ha^mrgu_ deZiZgu fh`gh mklZgh\blv gZ
 h[hbo dhgpZo j_pbjdmeyppbhggh]h \ha^moh\h^Z beb jy
 ^hf gZ h^ghf dhgp_ j_pbjdmeyppbhggh]h \ha^moh\h^Z

IJ?>HOJ:GBL?EVGU? DE:I:GU
 >EY <ULY@GUO <HA>MOH<H>H<
 HIPBY
 MklZgZ\eb\lky gZ f_kl_ fhglZ`Z
 \ \ha^moh\h^_ j_pbjdmeyppbhggh]
 \ha^moZ



K\h[h^gh_ ijhkljZgkl\h \hdjm] Z]j_]ZIZ	:	%	&	K\h[h^gh_ ijhkljZgkl\h gZ^ Z]j_]Z]hf
ljhoh^u ^ey l_oh[kem`b\Zgby	ff	^xcf	ff	^xcf
FbgbfZevgh_ k\h[h^gh_ ijhkljZgkl\h ^ey ghj-fZevghc jZ[hlu]Zah\h]h \ha^mohgZ]j_]Z]_ey				
FbgbfZevgh_ k\h[h^gh_ ijhkljZgkl\h ^ey ghj-fZevghc jZ[hlu Z]j_]ZIZ				

IJBF?Q:GB? ?keb Z]j_]ZI mklZgZ\eb\lky gZ \ha\ur_gbb lh hkgh\Zgb_ Z]j_]ZIZ ^he`gh hibjZlvky gZ nmg^Zf_gl ih \k_fm i_j
 ljhoh^u ^ey l_oh[kem`b\Zgby ± k\h[h^gh_ ijhkljZgkl\h h[_ki_qb\Zxs_ m^h[guc ^hkimi d Z]j_]Z]m ^ey fhglZ`Z ^_fhglZ`Z a
 Fbg ijhkljZgkl\h ^ey]Zah\h]h \ha^mohgZ]j_]Z]_ey ± fbgbfZevgh ^himklbfh_ k\h[h^gh_ ijhkljZgkl\h g_h[oh^bfh_ ^ey ghjfZevghc jZ
 FbgbfZevgh_ k\h[h^gh_ ijhkljZgkl\h ± fbgbfZevgh ^himklbfh_ k\h[h^gh_ ijhkljZgkl\h g_h[oh^bfh_ ^ey ghjfZevghc jZ[hlu Z]j_]

òüýùùö óú û ó ÿöý óú þóñ ùöþüðîüö óúýóþî þ
 ÿ îûîðüöðîóú ó ûî úóý ó øÿÿù î î öö

lmgdl

Fh^_ev

< ih d-Z
 lZehjm

ópúüÿ î ÿ ÿóúÿþû ú ðöÿÿúóóú òù üþñüð ö ü öÿû ýüúó óúö÷

```
‡ >\moklmi_gqZlh_j_]mebjh\Zgb_ ijhba\h^bl_evgh&167$Z`$(Z)o :
h[h]j_\Z hoeZ`^_gby kbkl_fZ lhevhd k j_`bfhf hoeZ`^_gby beb
l_ieh\hc gZkhh
‡ Bglmb\l\gh ihgylguc bgl_jn_ck k k_gkhjguf ^bkie__f
‡ G^_evguc ijhjjZffbjm_fuc lZcf_j
‡ Q_luj_\j_f_gguo bgl_j\ZeZ ^ey dZ`^h]h ^gy g_^_eb
‡ <uoh^ ^ey mijZ\e_gby wdghgfZca_jhf
‡ Khh\l_kl\b_lj_[h\Zgbyf klZg^ZjIZ 7LWOH
‡ >bkie_c k ih^k\_ldhc
‡ :\hfZlbg_kdh_ i_j_dexq_gb_ j_`bfh\
```

>Zlqbdb ^ey l_jfhklIZ k k_gkhjguf ^bkie__f

```
>bklZgpbhgguc g_j_]mebjm_fuc gZkl_gguc ^Zlqbd l_fi_jZlmju dHf & 61=1 $( :
>bklZgpbhgguc g_j_]mebjm_fuc gZkl_gguc ^Zlqbd kj_^g_c l_fi_jZlmju& 61dHf $( :
>bklZgpbhgguc g_j_]mebjm_fuc dZgZevguc ^Zlqbd l_fi_jZlmju & 61'& $( /
>Zlqbd l_fi_jZlmju gZjm`gh]h \ha^moZ & 6165 $( ;
```

>hihegbl_evgu_ ijbZ^e`ghklb ^ey l_jfhklIZ k k_gkhjguf ^bkie__f
 AZibjZ_fZy djurdZ ijhajZqgZy & 0,6& \$(3

```
>bklZgpbhgguc_ ^Zlqbdb ^ey & 67$7 $( / fh`gh ijb_f_gylv \ ke_^mxsbo dhf[bgZpbyo & 61=1 $( & 61
& 61=1 $( b & 61=1 $( & 61=1 $( & 61=1 $( b & 61=1 $( & 61=1 $(
```

îø ÿ ö óÿøó îþîø óþöÿ öø ö ÿûîþ ôö ýüúó óúö

LbihjZaf_j	Mjh_gv a\mdh\hc fhsghklb ^;: hkhjg\ hdIZ\guo ihehkZo qZklhl	Mjh_gv a\mdZ ^;
	500	

ljb_f_qZgb_ >Zggu_ ih a\mdh\hc fhsghklb \ hdIZ\guo ihehkZo qZklhl ijb_^_gu [_a dhjj_dlbjh\db
 Mjh_gv a\mdZ jZkkqblZg \ khh\l_kl\b k lj_[h\Zgbyfb klZg^ZjIZ \$+5,

úíÿÿî îñþóñî üð ö øüúýüúóú üð

Fh^_ev	FZkkZ g_llh		LjZgkihjlbjh\hqqZy fZkkZ	
	d]	nmgl	d]	nmgl
;Zah\uc fh^mev				
FZdkbfZevgZy dhfie_dIZpby				
;Zah\uc fh^mev				
FZdkbfZevgZy dhfie_dIZpby				

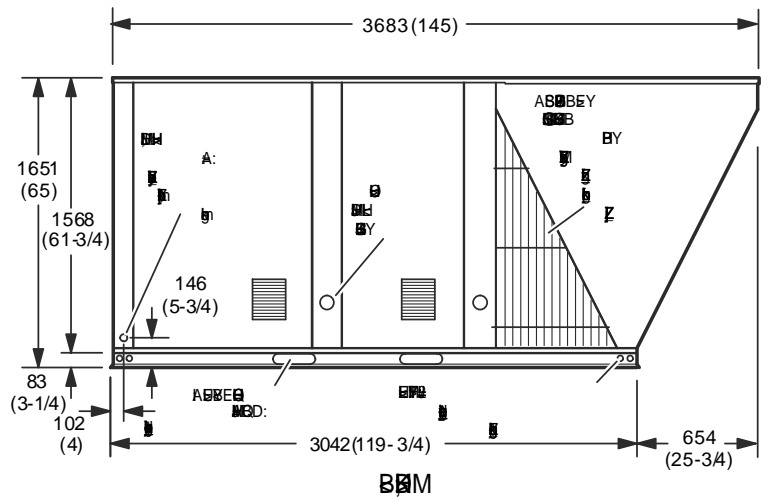
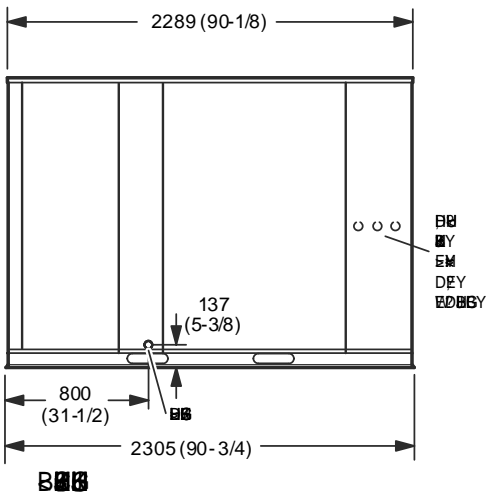
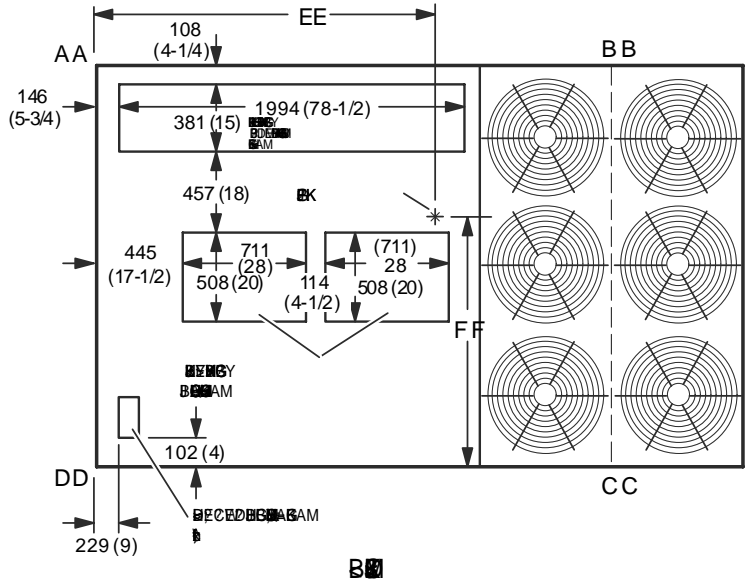
òüýüùûö óú û ó ýþöûîòùóôûüÿ ö

HibkZgb_	LjZgkihjlbjh\hqqZy fZkkZ	
	d]	nmgl
øüüüúî÷ðóþ øúíÿî ùîþ óúñü ðüðò î ð óú÷ ðóú òù üþ		
Kf_kbl_evgZy dZf_jZ wdghfZca_j		
lj^hojZgbl_evgu_ deZiZgu		
lj^hojZgbl_evgu_ deZiZgu ^ey _jlbZevguo \ha^moh\h^h\		
lj^hojZgbl_evgu_ deZiZgu ^ey]hjbahglZevguo \ha^moh\h^h\		
DeZiZgu gZjm`gh]h \ha^moZ		
K_dpby \ha^mrgh]h deZiZgZ ih^kh^bg_gb_ \ha^moh\h^h\ k[hdm]mjb\h^hf		
K_dpby \ha^mrgh]h deZiZgZ ih^kh^bg_gb_ \ha^moh\h^h\ k[hdm]mjb\h^hf		
Dhauj_d ^ey aZsblu hl Zlfhkn_jguo \ha^ckl\bc	/ \$2\$+	
ih^kh^bg_gb_ \ha^moh\h^h\ kgbam		
<ukhdhgZihjguc \uly`ghc _glbeylhj		
úíÿÿî ñîðöðñü ðüðò üûîñþóðî óú û ó ü		
Kj^gbc gZ]j_\ ^h[Z\ey_lky d kIZg^Z]lghfm gZ]j_\m		
FZdkbfZevguc gZ]j_\ ^h[Z\ey_lky d kIZg^Z]lghfm gZ]j_\m		
úúú îôú ó þíú		
Dhf[bgbjh\Zggu_ fhglZ`gu_ jZfu ih^kh^bg_gb_ \ha^moh\h^h\ kgbam		
<ukhlZ ff		
<ukhlZ ff		
<ukhlZ ff		
KIZg^Z]lgu_ fhglZ`gu_ jZfu ih^kh^bg_gb_ \ha^moh\h^h\ k[hdm		
<ukhlZ ff		
<ukhlZ ff		
ýü üüü û ó òö öþþ		
<uklmiZxsbc	/ \$57'	
MkIZgZ\eb\Z_fuc aZih^ebph k ih^_kguf ihlhedhf	/ \$)'	
l_j_oh^gbdb	/ \$657	
ýíøüðøî		
MiZdh\dZ /7/ ^ey ljZgkihjlbjh\Zgby \]jmah\bd_		

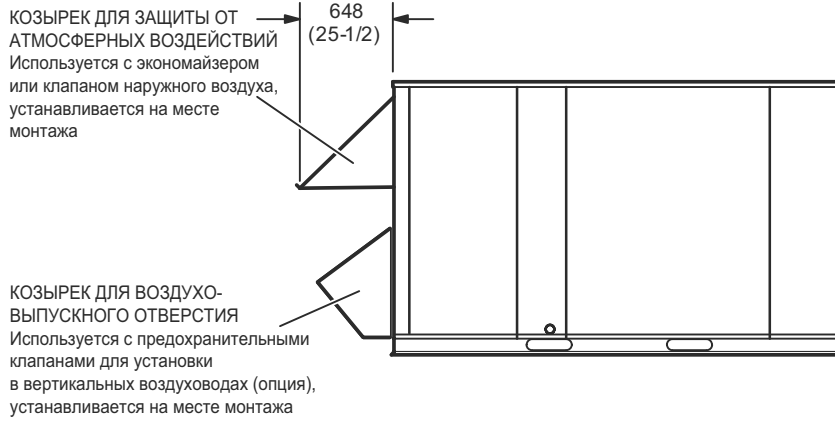
πίδούόρ úú ò ÷ú

Fh^_ev	J:KIJ?>?E?GB? F:KKU :=J?=:L: IH HIHJGHC IH<?JOGHKL B								P?GLJ F:KK			
	\$\$		%%		&&		''		(())	
	d]	nmg	d]	nmg	d]	nmg	d]	nmg	ff	^xcf	ff	^xcf
/*+ [Zah\Zy dhfie												
/*+ fZdk dhfie												
/*+ [Zah\Zy dhfie												
/*+ fZdk dhfie												

;Zah\úc fh^mev ± :]j_]ZI [_a <GMLJ?GGBO >HIHEGBL?EVGUO IJBG:>E?@GHKL?C
 FZdkbfZevgZy dhfie_dIZpby ± ;Zah\úc fh^mev k MKL:GH<E?GGUFB <GMLJ?GGBF >HIHEGBL?EVGUFB IJBG:
 a_j kIZg^Zjlg_ gbadhgZihjgu_ \uly`gu_ _glbeylhju mkljhckl\Z mijZle_gby b l i :]j_]ZI g_ hkgZs_g \g_
 e_`ghklyfb beb \ukhdhgZihjgufb \uly`gufb _glbeylhjZfb

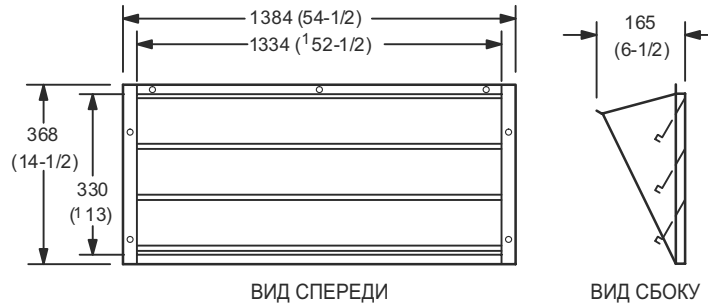


КОЗЫРЕК ДЛЯ ЗАЩИТЫ ОТ АТМОСФЕРНЫХ ВОЗДЕЙСТВИЙ



ПРЕДОХРАНИТЕЛЬНЫЕ КЛАПАНЫ ДЛЯ ГОРИЗОНТАЛЬНЫХ ВОЗДУХОВОДОВ С ЗАЩИТНЫМ КОЗЫРЬКОМ (ОПЦИЯ)

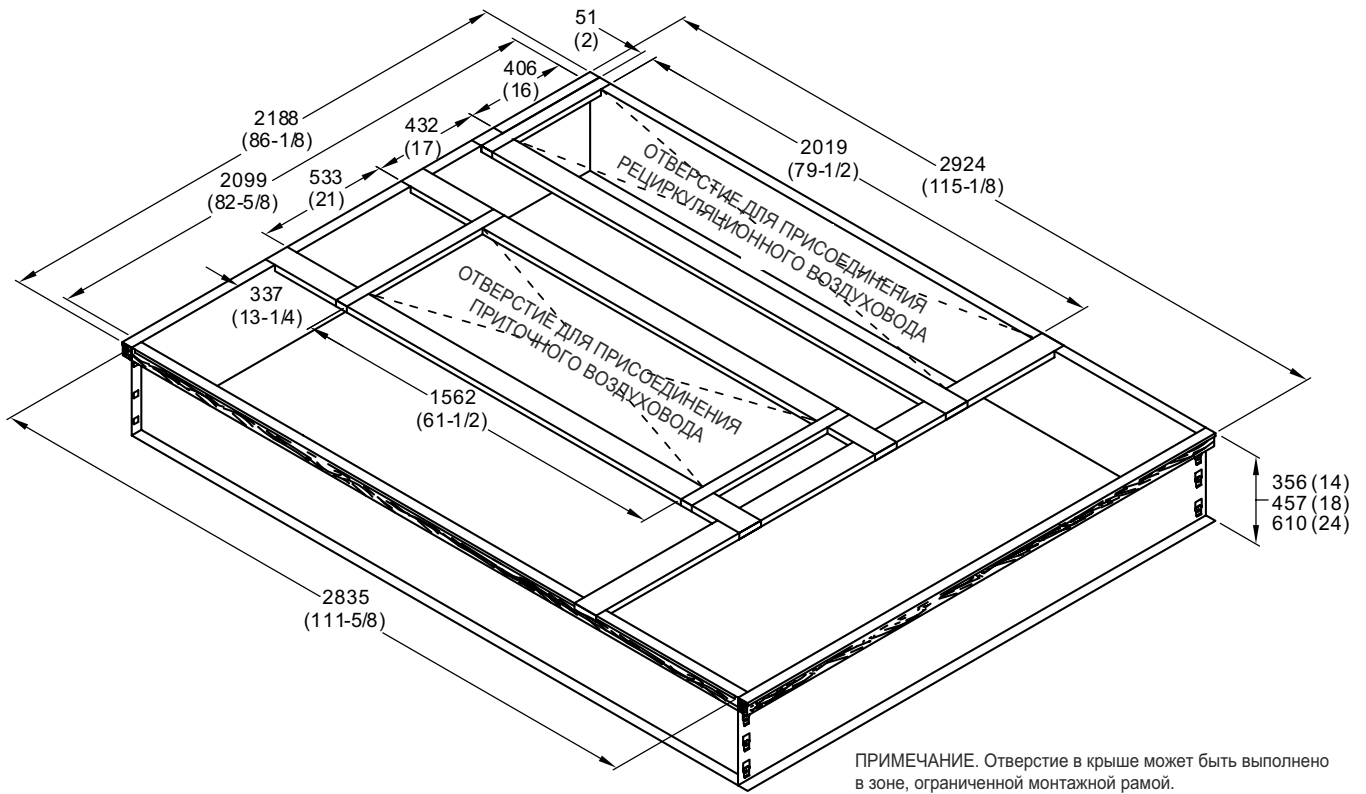
Устанавливается на месте эксплуатации в горизонтальном воздуховоде рециркуляционного воздуха вблизи агрегата.



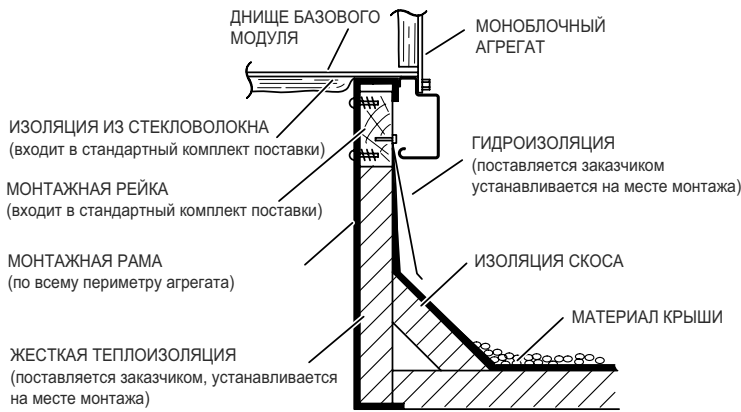
ПРИМЕЧАНИЕ. По каждому заказу поставляются два устройства.

¹ ПРИМЕЧАНИЕ. Размер сечения воздуховода рециркуляционного воздуха.

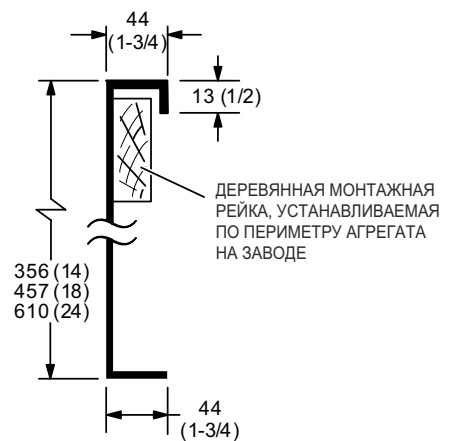
DHF;BGBJH<:GGU? FHGL:@GU? J:FU ± HL<?JKLBY >EY ><MO <HA>MOH<H>H<



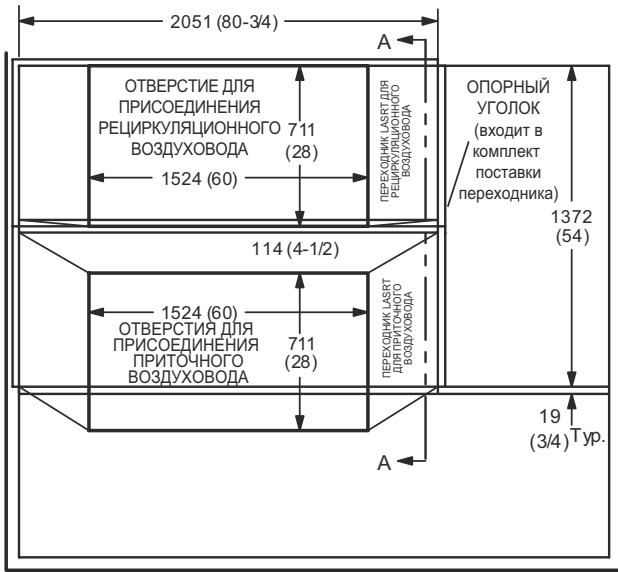
ИЗОЛЯЦИЯ МОНТАЖНОЙ РАМЫ



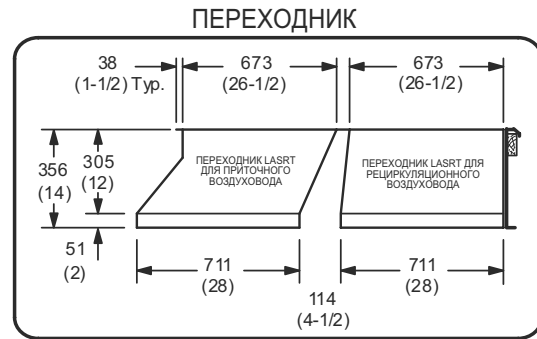
ФРАГМЕНТ МОНТАЖНОЙ РАМЫ



FHGL:@GU? J:FU K I?J?OH>GBD:FB >EY IJBKH?>BG?GBY IJBLHQGH=H B J?PBJDMEYJGH=H INI >BNNMAHJH<



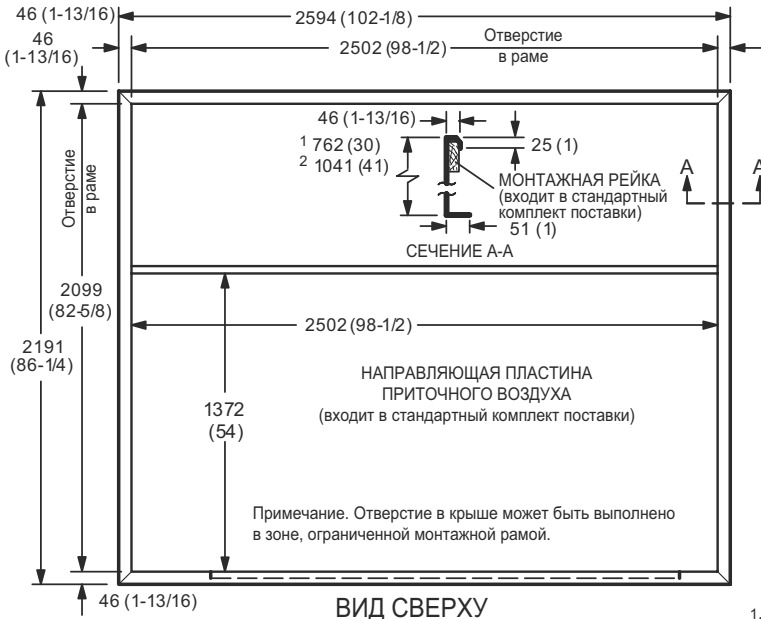
ВИД СВЕРХУ



СЕЧЕНИЕ В-В

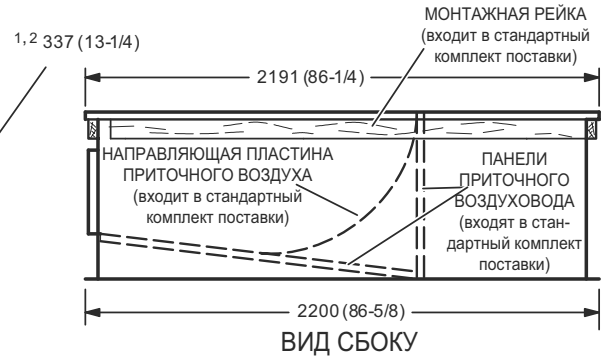
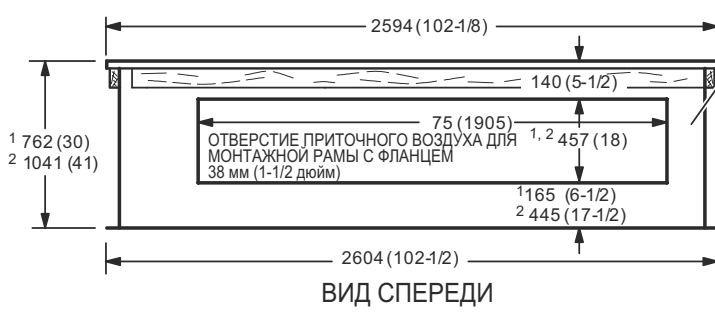
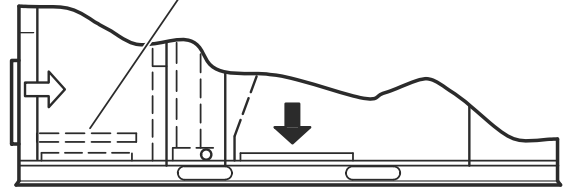
FHGL:@GU? J:FU K IH>KH?>BG?GB?F <HA>MOH<H>H< K;HDM

>ey ih^kh_bg_gby \ha^moh\h^h\ k[hdm g_h[oh^bfh mkIZgh\blv khhl_lkl\mxsbc dhfie_dl iZg_e_c



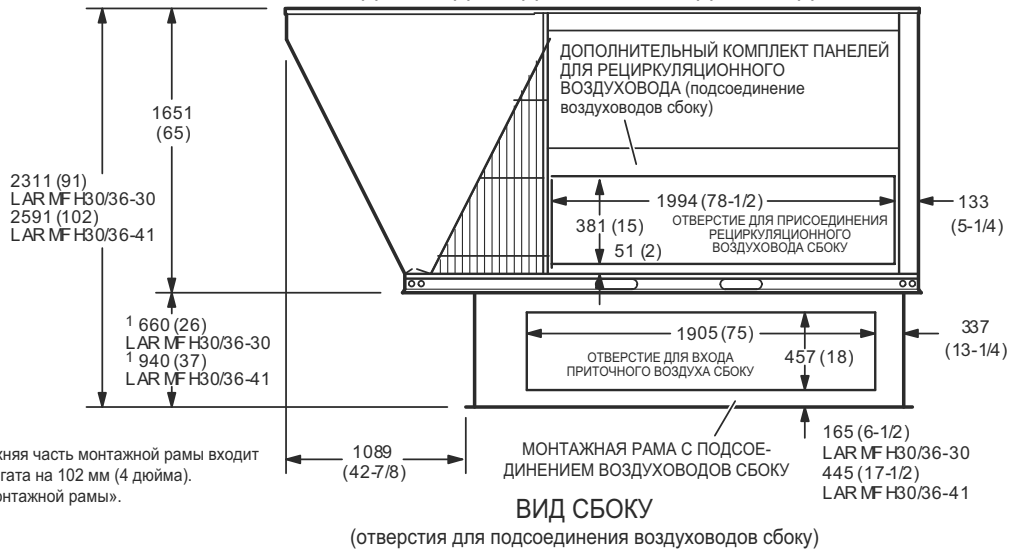
Примечание. Модель LARMFH30/36-30 предназначена для горизонтального выпуска воздуха в случае, когда агрегат установлен на плите перекрытия. Модель LARMFH30/36-41 предназначена для горизонтального выпуска воздуха в случае, когда агрегат установлен на крыше.

ПАНЕЛЬ, ЗАКРЫВАЮЩАЯ ОТВЕРСТИЕ РЕЦИРКУЛЯЦИОННОГО ВОЗДУХА В ОСНОВАНИИ АГРЕГАТА (входит в состав дополнительного комплекта панелей для подсоединения воздухопроводов сбоку)



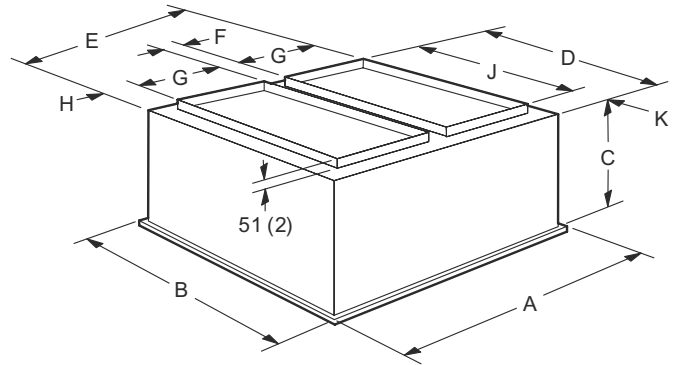
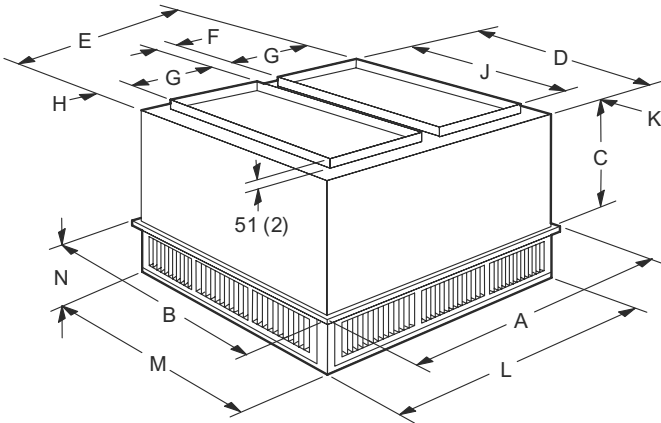
1 LARMFH30/36-30 2 LARMFH30/36-41

АГРЕГАТ С ОТВЕРСТИЯМИ ДЛЯ ПОДСОЕДИНЕНИЯ ПРИТОЧНОГО И РЕЦИРКУЛЯЦИОННОГО ВОЗДУХОВОДОВ, УСТАНОВЛЕННЫЙ НА МОНТАЖНОЙ РАМЕ ДЛЯ ПОДСОЕДИНЕНИЯ ВОЗДУХОВОДОВ СБОКУ



1 ПРИМЕЧАНИЕ. Верхняя часть монтажной рамы входит внутрь основания агрегата на 102 мм (4 дюйма). См. рис. «Изоляция монтажной рамы».

IHLHEHQGU? >BNNMAHJU IJBLHQGH=H B J?PBJDMEYPBHGGH=H <HA>M
 <UKLMI:XSBC IHLHEHQGUC >BNNMAHJ >BNNMAHJ MKL:G:<EB<:?FUC A:IH>EBPH
 K IH><?KGUF IHLHEDHF



Fh^_ev		/57'
:	ff ^xcf	
%	ff ^xcf	
&	ff ^xcf	
,	ff ^xcf	
(ff <oh^ghc iZljm[hd	
)	ff <oh^ghc iZljm[hd	
*	ff ^xcf	
+	ff ^xcf	
J	ff ^xcf	
.	ff ^xcf	
/	ff ^xcf	
0	ff ^xcf	
1	ff ^xcf	
JZaf_ju \ha^moh\h^Z	ff ^xcf	[[

Fh^_ev		/5)'
:	ff ^xcf	
%	ff ^xcf	
&	ff ^xcf	
,	ff ^xcf	
(ff ^xcf	
)	ff ^xcf	
*	ff <oh^ghc iZljm[hd	
+	ff ^xcf	
J	ff ^xcf	
.	ff ^xcf	
JZaf_ju \ha^moh\h^Z	ff ^xcf	[[

þóðîø ö

JZa^_e

HibkZgb_

JZaf_ju ^hihegbl_evguo ijbgZ^e_`g>h[Z\le_gZ gh\Zy dhf[bgbjh\ZggZy fhglZ`gZy jZfZ

>hihegbl_evgu_ ijbgZ^e_`ghklb >h[Z\le_gu gh\u_ \ukhdhwnn_dlb\gu_ wdghgfZca_ju

>h[Z\le_gZ gh\Zy dhf[bgbjh\ZggZy fhglZ`gZy jZfZ



info@fullcom.ru

IJBF?Q:GB? < k\yab k ihklhygguf kh_jr_gkl\h\Zgb_f dhgkljmdpbb l_ogbq_kdb_ oZjZdl_jbklbdb b jZaf_ju Z]j_]Zlh\ /(112; fh) l_evgh]h m_^hfe_gby G_gZ^e_`Zsbc fhglZ` gZkljhcdZ baf_g_gb_ dhgkljmdpbb j_fhgl b l_ogbq_kdh_ h[kem`b\Zgb_ fh]ml ijb_klb d ih\j_`^_gbx Z khgZeZ FhglZ` b l_ogbq_kdh_ h[kem`b\Zgb_ ^he`gu \uihegylvky d\Zebnbpbjh\Zggufb ki_pbZebklZfb b ki_pbZebabjh\Zggufb ij_^ijbylb (/HQR[,QGxvwulhv